



WATER LARGE



SINCERE HONESTY TO LEAD THE INDUSTRY FOCUS ON PRECISION

KAIFENG WATER LARGE FLOW MEASUREMENT SCIENCE & TECHNOLOGY CO.,LTD

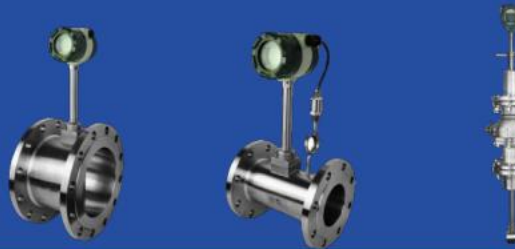
www.waterlarge.com

WATER LARGE CATALOG

W-M 3000 Series
Electromagnetic Flowmeters



W-V1500 Series Vortex
Flowmeters



W-T300 Series Turbine Flowmeters



W-G200 Series Oval Gear
Flowmeters



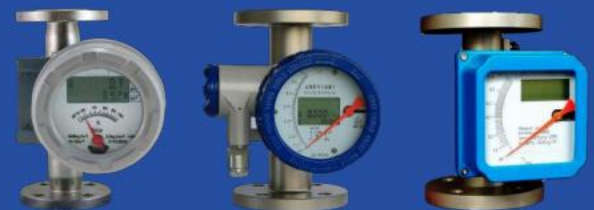
W-TM4000 Series Thermal
Mass Flowmeters



W-CM 250 Series Coriolis
Mass Flowmeters



W-MT150 Series Metal
Tube Rota Flowmeters





EMag Series Converters

EMag-BPC Series Electromagnetic Flow Converter



Accuracy: $\pm 0.5\%RS, \pm 1\%RS$
 Output: 4-20mA, pulse/frequency
 Communication protocol: Default RS485, (HART, PROFIBUS, optional)
 Power supply: 85~250VAC (45Hz ~63Hz) / 12~36VDC
 Environment condition: temp. -20°C-60°C, relative humidity 90%
 Display: instant flow, total flow, forward/reverse, etc.
 Dimensions: 240*169*123mm
 Protection class: IP65/IP67
Feature: self-diagnosis; power failure record; Alarm (Empty, excitation, high&low etc.)

EMag-BC Series Electromagnetic Flow Converter



Accuracy: $\pm 0.5\%RS, \pm 1\%RS$
 Output: 4-20mA, pulse/frequency
 Communication protocol: Default RS485, (HART, PROFIBUS, optional)
 Power supply: 85~250VAC (45Hz ~63Hz) / 12~36VDC
 Environment condition: temp. -20°C-60°C, relative humidity 90%
 Display: instant flow, total flow, forward/reverse, etc.
 Dimensions: 240*169*123mm
 Protection class: IP65/IP67
Feature: self-diagnosis; power failure record; Alarm (Empty, excitation, high&low etc.)

EMag-CC Series Electromagnetic Flow Converter



Accuracy: $\pm 0.5\%RS, \pm 1\%RS$
 Output: 4-20mA, pulse/frequency
 Communication protocol: GPRS
 Power supply: 85~250VAC (45Hz ~63Hz) / 12~36VDC
 Environment condition: temp. -20°C-60°C, relative humidity 90%
 Display: instant flow, total flow, forward/reverse, etc.
 Dimensions: 200*116*147mm
 Protection class: IP65/IP67
Feature: self-diagnosis; power failure record; Alarm (Empty, excitation, high&low etc.)

EMag-GC Series Electromagnetic Flow Converter



Accuracy: $\pm 0.5\%RS, \pm 1\%RS$
 Output: 4-20mA, pulse/frequency
 Communication protocol: Default RS485, (HART, PROFIBUS, optional)
 Power supply: 85~250VAC (45Hz ~63Hz) / 12~36VDC
 Environment condition: temp. -20°C-60°C, relative humidity 90%
 Display: instant flow, total flow, forward/reverse, etc.
 Dimensions: 240*169*123mm
 Protection class: IP65/IP67
Feature: self-diagnosis; power failure record; Alarm (Empty, excitation, high&low etc.)

EMag Series Converters



EMag-BR Series Electromagnetic Flow Converter

Accuracy: $\pm 0.5\%RS, \pm 1\%RS$
Output: 4-20mA, pulse/frequency
Communication protocol: GPRS
Power supply: 85~250VAC (45Hz ~63Hz) / 12~36VDC
Environment condition: temp. -20°C-60°C, relative humidity 90%
Display: instant flow, total flow, forward/reverse, etc.
Dimensions: 214*164*71mm
Installation: remote
Protection class: IP65/IP67
Feature: self-diagnosis; power failure record; Alarm (Empty, excitation, high&low etc.)



EMag-BSC Series Electromagnetic Flow Converter

Accuracy: $\pm 0.5\%RS, \pm 1\%RS$
Output: 4-20mA, pulse/frequency
Communication protocol: Default RS485, (HART, PROFIBUS, optional)
Power supply: 85~250VAC (45Hz ~63Hz) / 12~36VDC
Environment condition: temp. -20°C-60°C, relative humidity 90%
Display: instant flow, total flow, forward/reverse, etc.
Dimensions: 214*71*175mm
Protection class: IP65/IP67
Feature: self-diagnosis; power failure record; Alarm (Empty, excitation, high&low etc.)



EMag-GR Series Electromagnetic Flow Converter

Accuracy: $\pm 1.0\%RS, \pm 1\%RS$
Output: 4-20mA, pulse/frequency
Communication protocol: RS485, HART, PROFIBUS, optional)
Power supply: 85~265VAC (50HZ or 60HZ) 12~36VDC
Environment condition: temp. -20°C-60°C, relative humidity 90%
Display: instant flow, total flow, forward/reverse, etc.
Dimensions: 214*164*71mm
Protection class: IP65/IP67



EMag-SR Series Electromagnetic Flow Converter

Accuracy: $\pm 0.5\%RS, \pm 1\%RS$
Output: 4-20mA, pulse/frequency
Communication protocol: RS485, HART, PROFIBUS, optional)
Power supply: 3.6V Battery
Environment condition: temp. -20°C-60°C, relative humidity 90%
Display: instant flow, total flow, forward/reverse, etc.
Dimensions: 214*164*71 mm
Protection class: IP65/IP67



EMag Series Converters



EMag-01C Series Electromagnetic Flow Converter

Accuracy: $\pm 0.5\%RS, \pm 1\%RS$
 Output: 4-20mA, pulse/frequency(optional)
 Communication protocol: Default RS485, (HART, PROFIBUS, optional)
 Power supply: 3.6V Li battery
 Measure direction: forward/reverse
 Environment condition: temp. -20°C-60°C, relative humidity 90%
 Display: instant flow, total flow, forward/reverse, etc.
 Dimensions: 240*169*123mm
 Protection class: IP65



EMag-01R Series Electromagnetic Flow Converter

Accuracy: $\pm 0.5\%RS, \pm 1\%RS$
 Output: 4-20mA, pulse/frequency(optional)
 Communication protocol: Default RS485, (HART, PROFIBUS, optional)
 Power supply: 3.6V Li battery
 Measure direction: forward/reverse
 Environment condition: temp. -20°C-60°C, relative humidity 90%
 Display: instant flow, total flow, forward/reverse, etc.
 Dimensions: 214*164*71mm
 Protection class: IP65
Feature: self-diagnosis; power failure record;
 Alarm(Empty, excitation, high&low etc.)



EMag-03D Series Electromagnetic Flow Converter

Accuracy: $\pm 0.5\%RS, \pm 1\%RS$
 Output: 4-20mA, pulse/frequency(optional)
 Communication protocol: Default RS485, (HART, PROFIBUS, optional)
 Power supply: 3.6V Li battery
 Measure direction: forward/reverse
 Environment condition: temp. -20°C-60°C, relative humidity 90%
 Display: instant flow, total flow, forward/reverse, etc.
 Dimensions: 130*160*120mm
 Protection class: IP68
Feature: self-diagnosis; power failure record; Alarm(Empty, excitation, high&low etc.)

EMag SERIES



Flange Type Electromagnetic Flowmeter



Compact type



Remote type

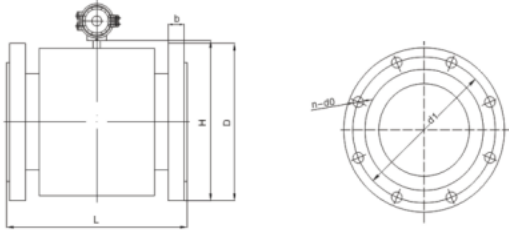
Parameters

DN size(mm)	From DN3 to DN3000(1/8" to 120")
Measuring range	0 to 10 m/s
Accuracy	±0.5%FS (±0.2%,±0.3% optional)
Measuring medium	Liquid or solid-liquid phase medium with a conductivity higher than 5µs/cm.
Operating pressure	Max. 40 bar (Max. 580 psi)
Ambient temperature	From -20 to 60 °C (-4 to 140 °F)
Medium temperature	From -20 to 150 °C (-4 to 300 °F)
Liner	Neoprene, PTFE, Hard rubber, Polyurethane, F46, PFA, Ceramic
Electrode	SS316 Hastelloy B Hastelloy C Titanium Tantalum Pltinum-iridium Tungsten carbide
Material	Carbon steel
Enclosure sensor	IP67 IP68 Optional
Signal output	4~20mA and pulse.
Communications	RS485, Modbus, RS232, HART, Profibus, GPRS, etc.
Transmitter	Large LCD with backlight
Cable	Compact type no need; remote type Default 10m
Earth ring	SS316 (Optional)
Flange standard	DIN, ANSI, JIS, GB,etc..



Flange Type Series

W-M3000F Electromagnetic Flowmeter



W-M3000F External Dimensions

Unit:mm

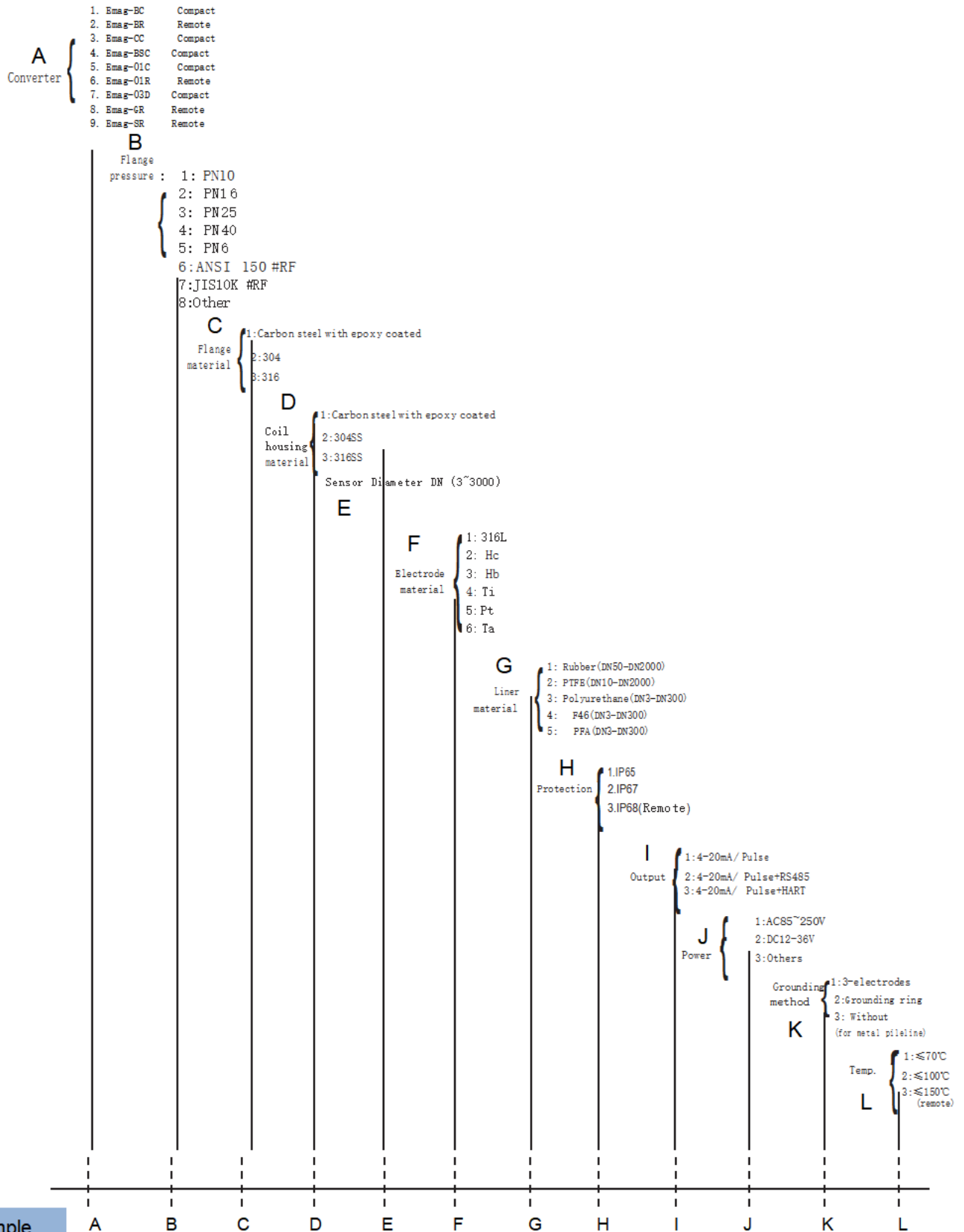
DN mm	Working pressure Mpa	L	D	d1	n-d0	b	H	Reference Weight (KG)
10	4.0	200	90	60	4- ϕ 14	16	153	6
15		200	95	65	4- ϕ 14	16	160	6
20		200	105	75	4- ϕ 14	18	167	7
25		200	115	85	4- ϕ 14	18	169	7
32		200	140	100	4- ϕ 18	18	185	9
40		200	150	110	4- ϕ 18	20	193	10
50		200	165	125	4- ϕ 18	20	206	11
65		250	185	145	8- ϕ 18	22	224	14
80		250	200	160	8- ϕ 18	22	241	15
100		1.6	250	220	180	8- ϕ 18	22	263
125	250		250	210	8- ϕ 18	22	295	20
150	300		285	240	8- ϕ 22	24	325	27
200	350		340	295	8- ϕ 22	24	383	34
250	1.0	400	395	350	12- ϕ 22	26	440	48
300		500	445	400	12- ϕ 22	28	498	57
350		550	505	460	16- ϕ 22	30	553	85
400		600	565	515	16- ϕ 26	32	608	100
450		600	615	565	20- ϕ 26	35	665	115
500		600	670	620	20- ϕ 26	38	727	149
600		600	780	725	20- ϕ 30	42	840	164
700		700	895	840	24- ϕ 30	30	895	437
800		800	1015	950	24- ϕ 33	32	1002	547
900		900	1115	1050	28- ϕ 33	34	1107	657
1000	0.6	1000	1175	1120	28- ϕ 30	26	1222	812
1200		1200	1405	1340	32- ϕ 33	28	1437	877
1400		1400	1630	1560	36- ϕ 36	32	1663	1237
1600		1600	1830	1760	40x ϕ 36	34	1863	1557
1800		1800	2045	1970	44x ϕ 39	36	2072	2087
2000		2000	2265	2180	48x ϕ 42	38	2282	2612
2200		2200	2475	2390	52- ϕ 42	42	2487	3212
2400		2400	2685	2600	56- ϕ 42	44	2636	3912
2600		2600	2905	2810	60- ϕ 48	46	2836	4282
2800		2800	3115	3020	64- ϕ 48	48	3036	5002
3000	3000	3315	3220	68- ϕ 48	50	3236	5602	

* Note: Please feel free to contact us if need special requirements.

Flange Type Series

W-M3000F Electromagnetic Flowmeter

W-M3000F How to order



W-M3000F-



* Remark: For remote type, cable length default 10M



Flange Type Series

W-M3000F Electromagnetic Flowmeter

Flow Range Chart

Flow rate (m/s) Flow (m ³ /h) Diameter (mm)	0.01 (Min.)	1	2	3	4	5	15 (Max.)
15	0.01	0.64	1.27	1.91	2.54	3.18	9.54
20	0.01	1.13	2	3	5	6	17
25	0.02	1.77	4	5	7	9	27
40	0.45	5	9	14	18	23	68
50	0.07	7	14	21	28	35	106
65	0.12	12	24	36	48	60	179
80	0.18	18	36	54	72	90	271
100	0.28	28	57	85	113	141	424
150	0.64	64	127	191	254	318	954
200	1.13	113	226	339	452	565	1696
250	1.77	177	353	530	707	884	2651
300	2.54	254	509	763	1018	1272	3817
350	3.46	346	693	1039	1385	1732	5195
400	5	452	905	1357	1810	2262	6786
450	6	573	1145	1718	2290	2963	8588
500	7	707	1414	2121	2827	3534	10603
600	10	1018	2036	3054	4072	5089	15268
700	14	1018	2771	4156	5542	6927	20782
800	18	1385	3619	5429	7238	9048	27143
900	23	1810	4580	6871	9161	11451	34353
1000	28	2290	5655	8482	11310	14137	42412
1200	41	2827	8143	12215	16286	20358	61073
1400	55	4072	11084	16625	22167	27709	83127
1600	72	5542	14476	21715	28953	36191	108573
1800	92	7238	18322	27483	36644	45804	137413
2000	113	9161	22619	33929	45239	56549	169646
2200	137	11310	27370	41054	54739	68424	205218
2400	163	16286	32572	48858	65144	81430	244290
2600	191	19113	38227	57340	76454	95567	286701
2800	265	22156	44312	66468	88623	110779	
3000	337	25434	50868	76302	101736	127170	

Clamp Type Series

W-M3000K Electromagnetic Flowmeter



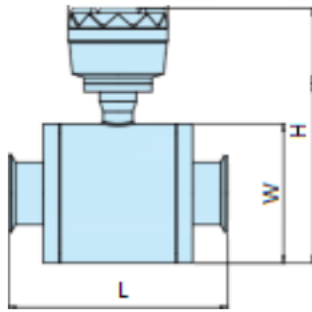
Parameters

DN size(mm)	From DN10 to DN200(2/5" to 8")
Measuring range	0 to 10 m/s
Accuracy	±0.5%FS (±0.2%,±0.3% optional)
Measuring medium	Liquid or solid-liquid phase medium with a conductivity higher than 5µs/cm.
Operating pressure	Max. 25 bar (Max. 360 psi)
Ambient temperature	From -20 to 60 °C (-4 to 140 °F)
Medium temperature	From -20 to 150 °C (-4 to 300 °F)
Liner	F46, PTFE, PFA,
Electrode	SS316 Hastelloy B Hastelloy C Titanium Tantalum Platinum-iridium Tungsten carbide
Material	Carbon steel/SS304/SS316
Enclosure sensor	IP67 IP68 Optional
Signal output	4~20mA and pulse.
Communications	RS485, Modbus, RS232, HART, Profibus, GPRS, etc.
Transmitter	Large LCD with backlight
Cable	Compact type no need; remote type Default 10m
Earth ring	SS316 (Optional)
Standard	DIN



Clamp Type Series

W-M3000K Electromagnetic Flowmeter

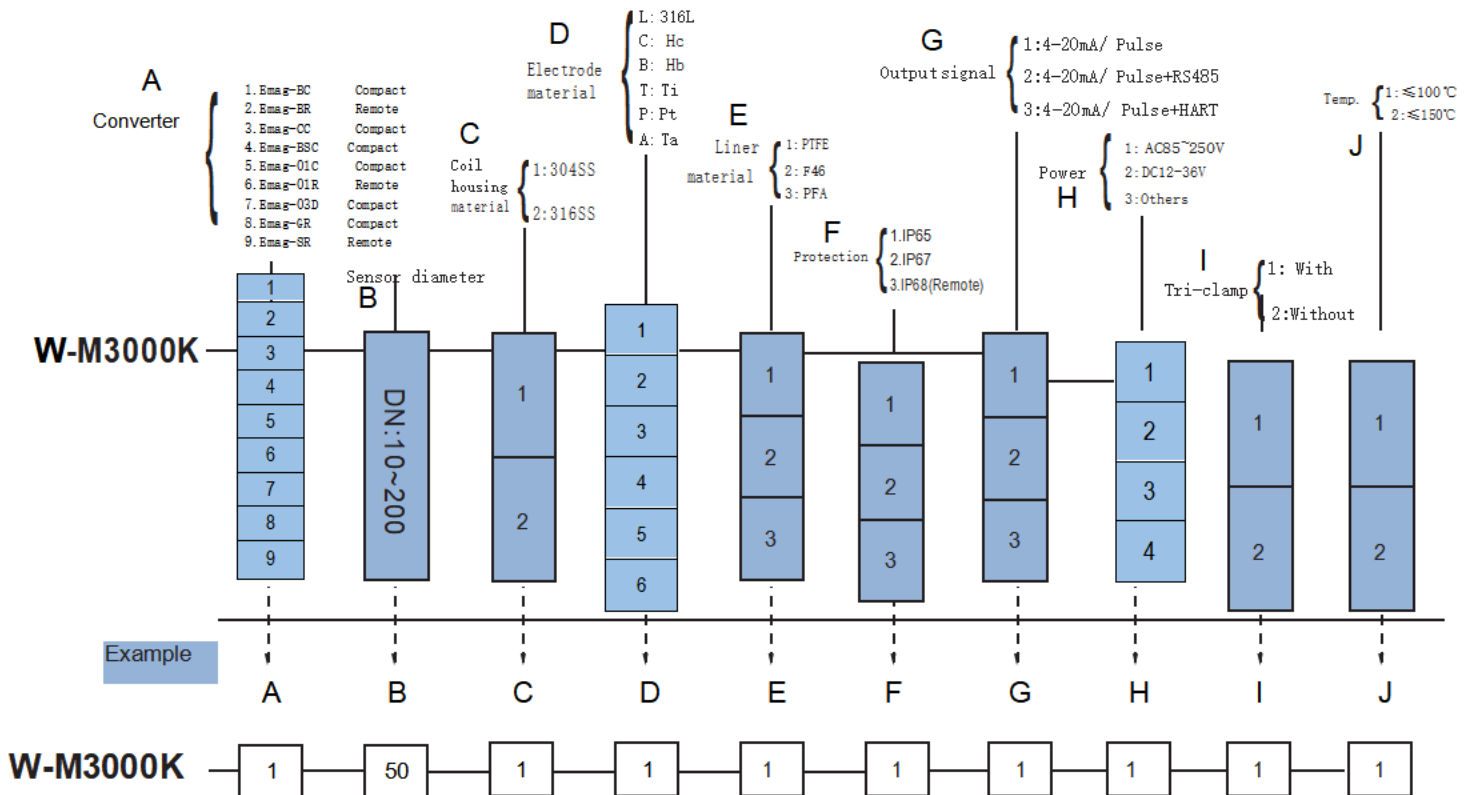


W-M3000K External Dimensions

Unit:mm

DN(mm)	External Dimension			Reference weight (kg)
	H	W	L	
10	179	70	172	2.5
15	179	70	172	2.5
20	179	70	172	2.6
25	189	83	172	2.6
40	196	95	172	3
50	214	105	172	3.6
65	220	115	172	4.5
80	240	135	200	5.2
100	252	140	200	7
125	276	176	200	9.6
150	310	204	256	12.8
200	336	230	256	22

W-M3000K How to order



* Remark: For remote type, cable length default 10M.

Thread Type Series

W-M3000L Electromagnetic Flowmeter



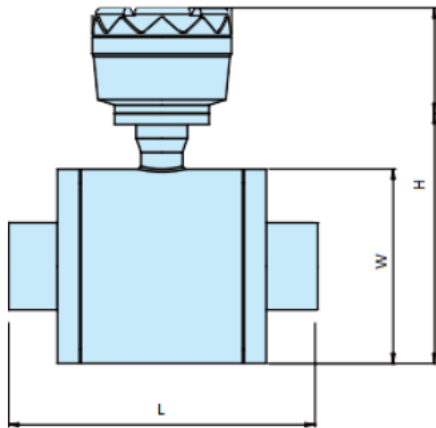
Parameters

DN size(mm)	From DN10 to DN200(2/5" to 8")
Measuring range	0 to 10 m/s
Accuracy	±0.5%FS (±0.2%,±0.3% optional)
Measuring medium	Liquid or solid-liquid phase medium with a conductivity higher than 5µs/cm.
Operating pressure	Max. 25 bar (Max. 360 psi)
Ambient temperature	From -20 to 60 °C (-4 to 140 °F)
Medium temperature	From -20 to 150 °C (-4 to 300 °F)
Liner	F46, PTFE, PFA,
Electrode	SS316 Hastelloy B Hastelloy C Titanium Tantalum Platinum-iridium Tungsten carbide
Material	Carbon steel/SS304/SS316
Enclosure sensor	IP67 IP68 Optional
Signal output	4~20mA and pulse.
Communications	RS485, Modbus, RS232, HART, Profibus, GPRS, etc.
Transmitter	Large LCD with backlight
Cable	Compact type no need; remote type Default 10m
Earth ring	SS316 (Optional)



Thread Type Series

W-M3000L Electromagnetic Flowmeter

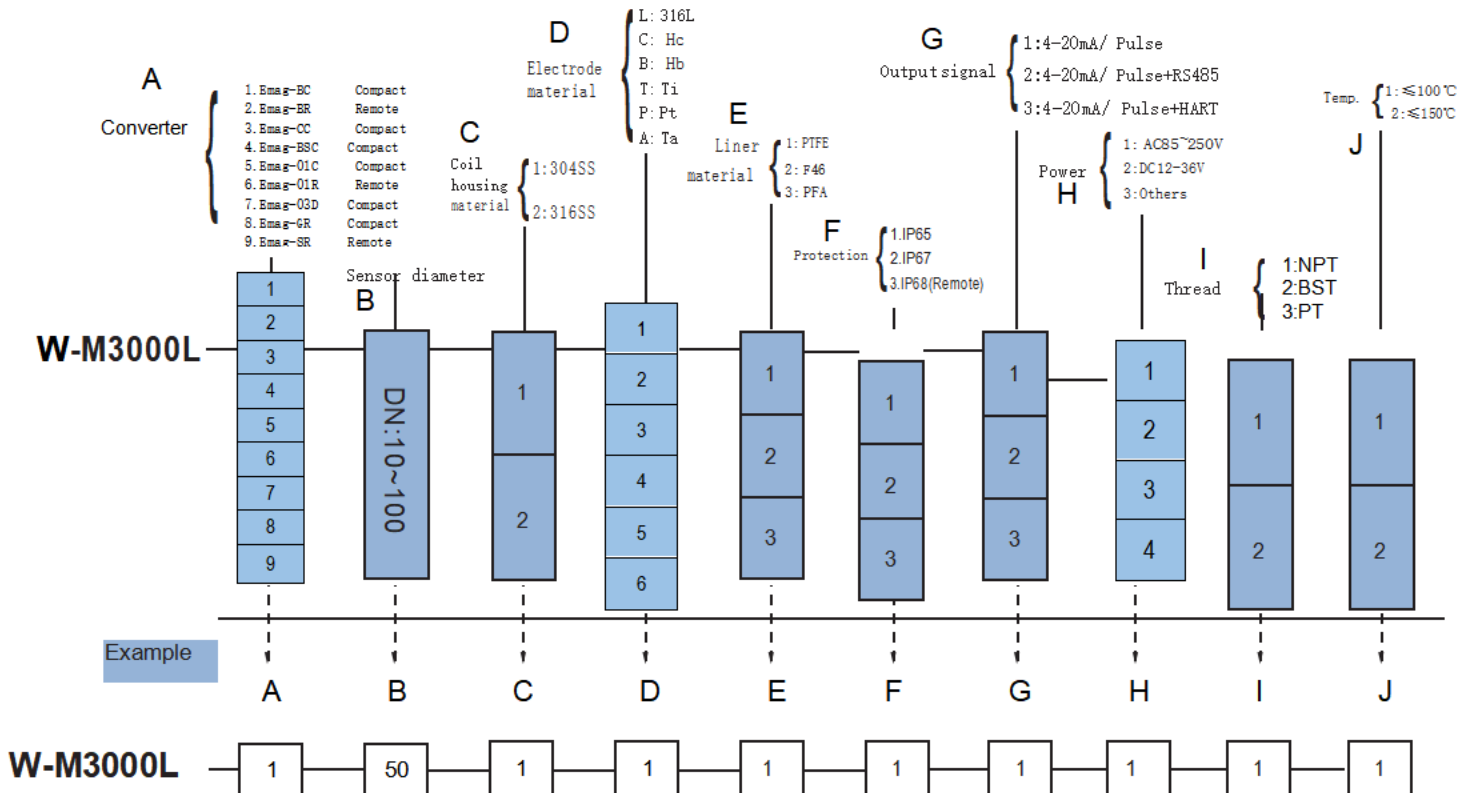


W-M3000L External Dimensions

Unit:mm

DN(mm)	External Dimension			Reference weight (kg)
	H	W	L	
10	340	210	460	2.5
15	340	210	460	2.5
20	340	210	460	2.6
25	340	210	460	2.6
40	340	210	460	3
50	340	210	460	3.6
65	380	280	460	4.5
80	380	280	490	5.2
100	400	312	490	7

W-M3000L How to order



* Remark: For remote type, cable length default 10M.

Wafer Type Series

W-M3000J Electromagnetic Flowmeter



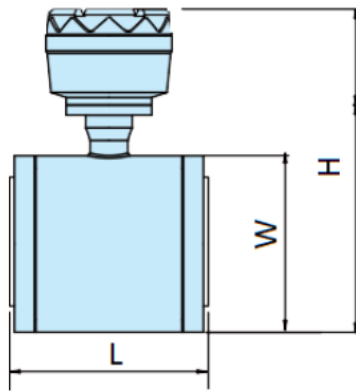
Parameters

DN size(mm)	From DN10 to DN200(2/5" to 8")
Measuring range	0 to 10 m/s
Accuracy	±0.5%FS (±0.2%,±0.3% optional)
Measuring medium	Liquid or solid-liquid phase medium with a conductivity higher than 5µs/cm.
Operating pressure	Max. 25 bar (Max. 360 psi)
Ambient temperature	From -20 to 60 °C (-4 to 140 °F)
Medium temperature	From -20 to 150 °C (-4 to 300 °F)
Liner	F46, PTFE, PFA,
Electrode	SS316 Hastelloy B Hastelloy C Titanium Tantalum Platinum-iridium Tungsten carbide
Material	Carbon steel/SS304/SS316
Enclosure sensor	IP67 IP68 Optional
Signal output	4~20mA and pulse.
Communications	RS485, Modbus, RS232, HART, Profibus, GPRS, etc.
Transmitter	Large LCD with backlight
Cable	Compact type no need; remote type Default 10m
Earth ring	SS316 (Optional)
Standard	DIN,ANSI,JIS



Wafer Type Series

W-M3000J Electromagnetic Flowmeter

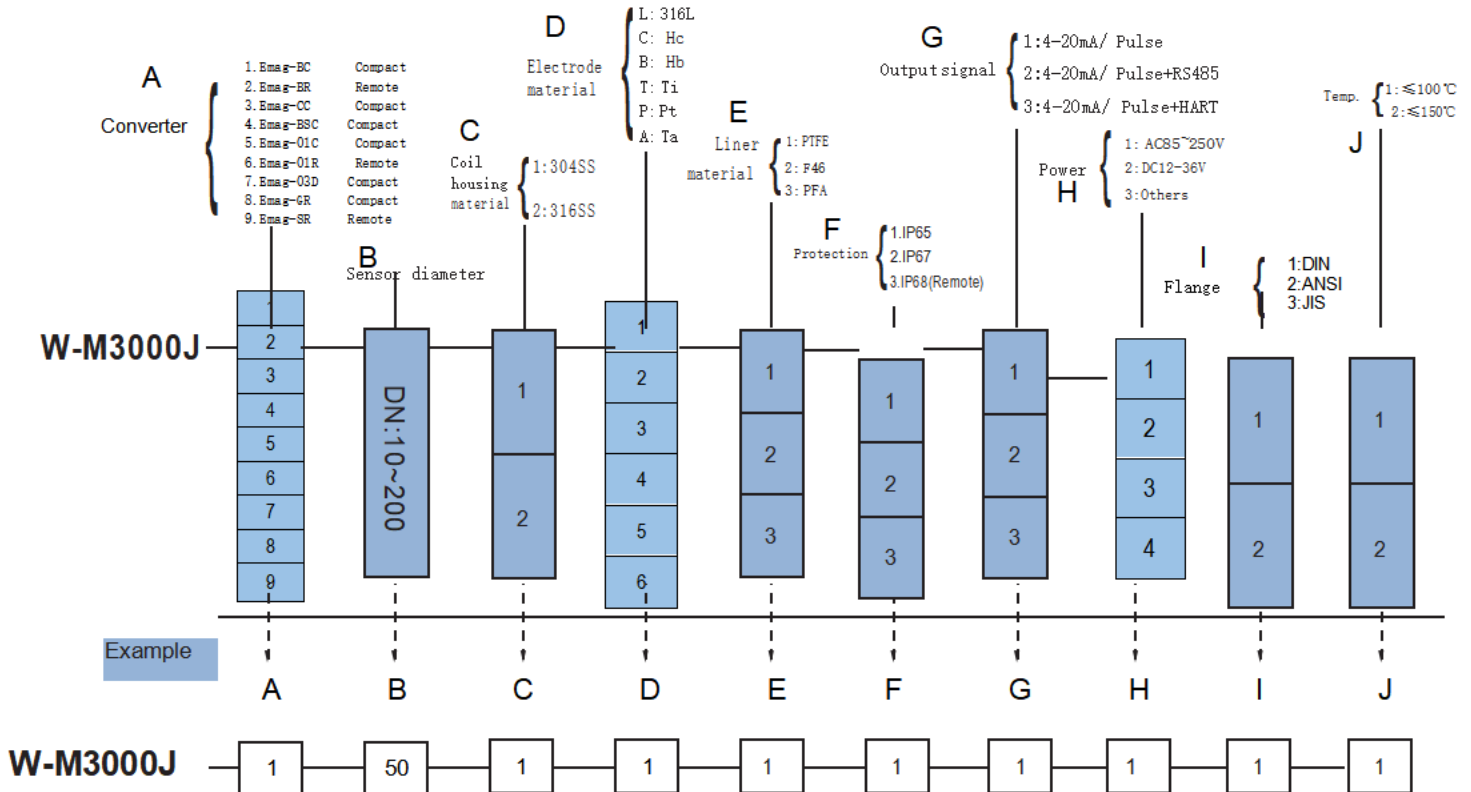


W-M3000J External Dimensions

Unit:mm

DN(mm)	External Dimension			Reference weight (kg)
	H	W	L	
10	200	98	80	2.5
15	200	98	80	2.5
20	169	98	80	2.6
25	179	106	80	2.6
40	198	125	80	3.0
50	213	135	120	3.6
65	229	148	120	4.5
80	244	164	120	5.2
100	265	189	120	7
125	298	214	140	9.6
150	328	240	160	12.8
200	376	290	220	22

W-M3000J How to order



* Remark: For remote type, cable length default 10M.

Insertion Type Series

W-M3000C Electromagnetic Flowmeter



Parameters

DN size(mm)	From DN50 to DN3000(2" to 120')
Measuring range	0 to 10 m/s
Accuracy	±1.5%-3.0%FS
Measuring medium	Liquid or solid-liquid phase medium with a conductivity higher than 5µs/cm.
Operating pressure	Max. 16 bar (Max. 230 psi)
Ambient temperature	From -20 to 60 °C (-4 to 140 °F)
Medium temperature	From -20 to 80 °C (-4 to 176 °F)
	SS316
Electrode	
Material	Stainless steel
Enclosure sensor	IP67 IP68 Optional
Signal output	4~20mA and pulse.
Communications	RS485, Modbus, RS232, HART, Profibus, GPRS, etc.
Transmitter	Large LCD with backlight
Cable	Compact type no need; remote type Default 10m
Earth ring	SS316 (Optional)
Standard	DIN,ANSI,JIS

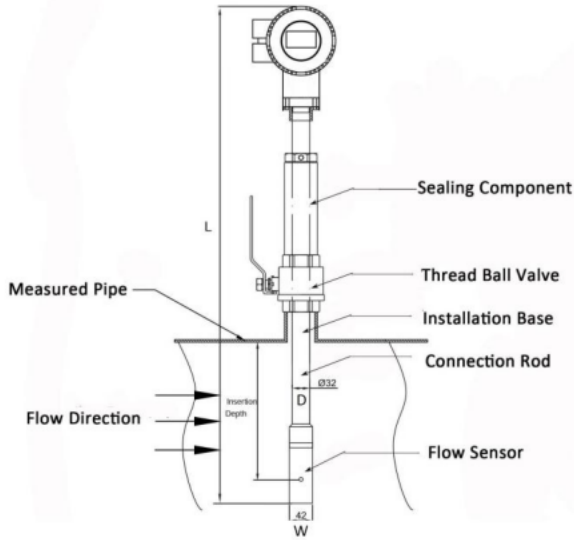


Insertion Type Series

W-M3000C Electromagnetic Flowmeter

W-M3000C External Dimensions

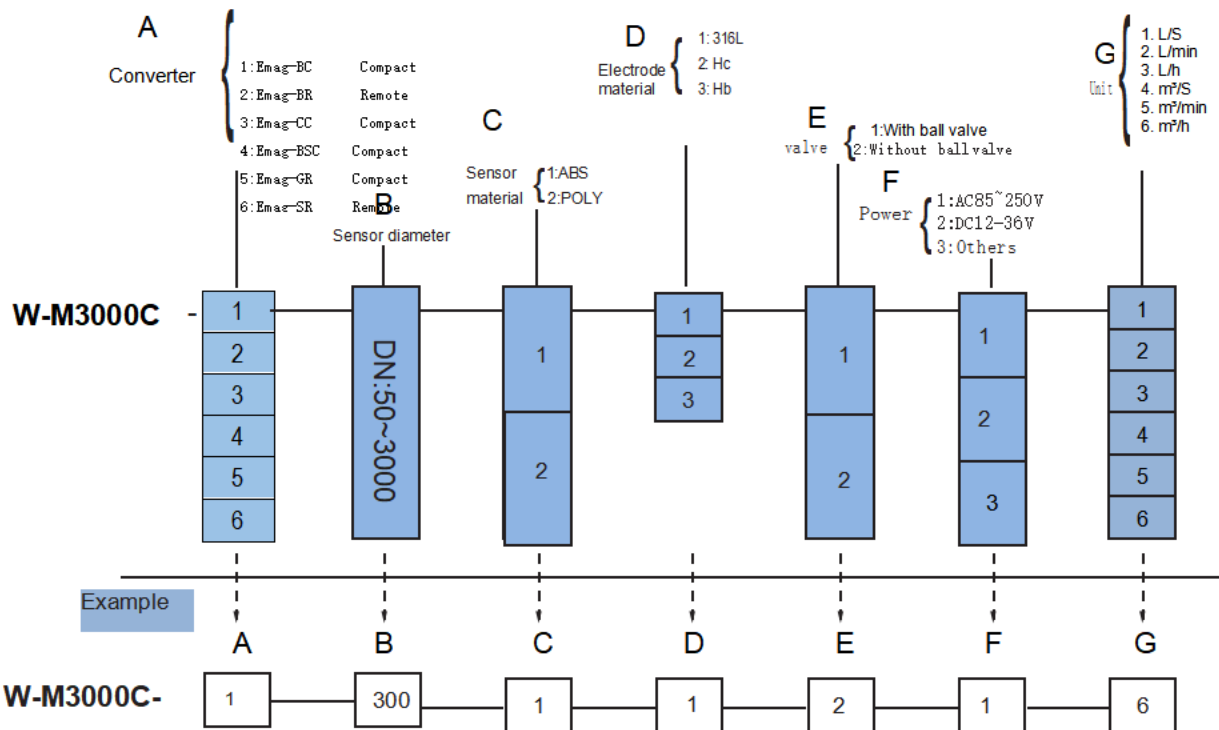
Unit:mm



DN (mm)	L	W	D	Normal flow (m ³ /h)
150	120	42	32	250
200	120	42	32	450
250	120	42	32	700
300	140	42	32	1000
350	140	42	32	1400
400	140	42	32	1800
500	160	42	32	2800
600	160	42	32	4000
700	180	42	32	5500
800	180	42	32	7200
900	200	42	32	9100
1000	213	42	32	11000
1200	238	42	32	12000
1400	263	42	32	16000
1600	288	42	32	20000
1800	313	42	32	27000
2000	338	42	32	34000
2200	363	42	32	40000
2400	388	42	32	48000
2600	413	42	32	57000

* Note: If need special requirements, please advise wall thickness and OD size.

W-M3000C How to order



* Remark: For remote type, cable length default 10M.

Thread Type Series

W-T300 Turbine Flowmeter

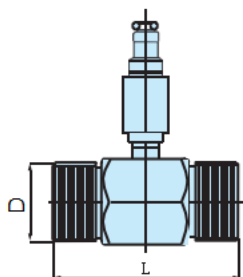
Turbine transducers are used for the precise measurement of instantaneous flow rates and flow quantities of low-viscosity fluids. It can be widely used in the fields of Petrol, chemical industry, metallurgy, scientific research for measuring or control. Several output and display options can be selected.

- 1.PT: 3 wires, 24VDC power, pulse, output without local display
- 2.CT: 2wires, 24 VDC 4-20mA output without local display
- 3.BT: Battery power, instantaneous flowrate and totalizer
- 4.IT: 24VDC/85~250VAC, 4-20mA and pulse output with instant flow and total flow

Specifications



DN (mm)	Measuring range (m ³ /h)		Medium temp (°C)	PN (MPa)	Env. temp (°C)	Pressure loss (MPa)
	Error 0.5%	Error 1.0%				
2*	/	0.01~0.13	-20~100	1.6	-25~55	0.12
3*	/	0.04~0.25		0.12		
4*	/	0.04~0.25		0.08		
6*	0.1~0.6	0.1~0.6		0.05		
10	0.25~1.2	0.2~1.2		0.035		
15	0.6~4	0.4~4		2.5 or 6.3		0.025
20	1.1~7	0.7~7				
25	1.6~10	1~10				
32	2.5~16	1.6~16				
40	3~20	2.5~25		1.6 or 2.5		
50	4~40	4~40				
65	6~60	6~60		1.6		
80	10~100	10~100				
100	20~160	16~160				
150	50~300	40~400				
200	100~600	80~800				



Thread dimensions

Unit:mm

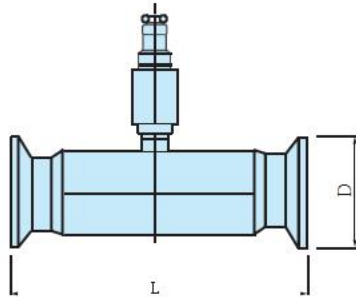
DN	2*,3*,4*	6	10	15	20	25	32
BSP	1/4	3/8	1/2	1	1	1¼	1½
L	40 55 40	50	50	75	75	100	120
KG	0.5 0.7 0.5	0.6	0.65	1.0	1.2	1.7	2.2

Remark: "*" special order



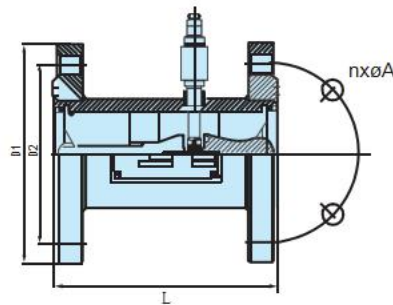
Clamp & Flange Type Series

W-T300K & W-T300F Turbine Flowmeter



Clamp dimensions

DN	D	L	Weights (KG)
10	3/8"	51	1
15	1/2"	51	1.1
20	3/4"	51	1.5
25	1"	51	2
32	1 1/4"	64	3.5
40	1 1/2"	64	5
50	2"	77.5	6.5
65	2 1/2"	91	8

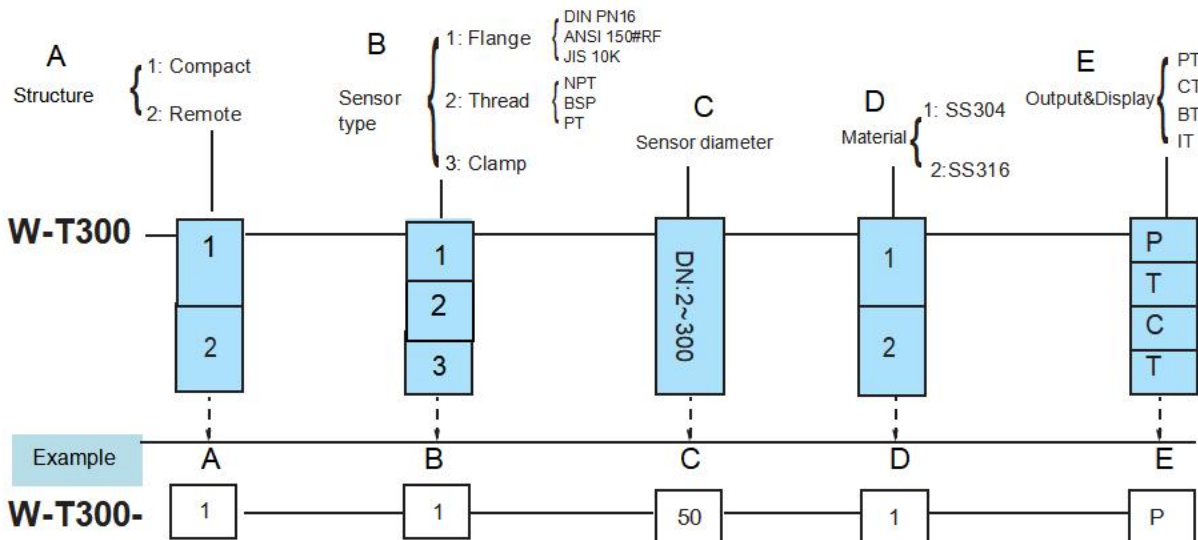


Flange dimensions

DN	D1	D2	nxøA	L	Weights (KG)
10	90	60	4x14	60	1.9
15	95	65	4x14	75	2.0
20	105	75	4x14	75	2.9
25	115	85	4x14	100	3.7
32	140	100	4x18	120	5
40	150	110	4x18	140	7
50	165	125	4x18	150	9
65	185	145	4x18	180	11
80	200	160	8x18	200	14
100	220	180	8x18	220	21
150	285	240	8x22	300	36
200	340	295	12x22	360	57

W-T300

How to order



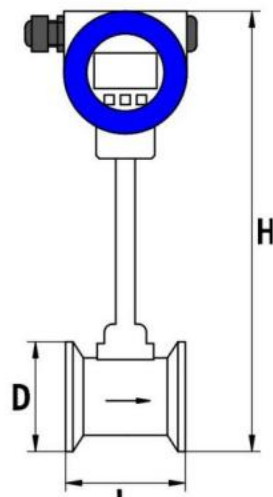
Vortex Flowmeter Series

W-V1500 Vortex Flowmeter



Vortex transducers are used for the precise measurement of instantaneous flow rates and flow quantities of gas and low-viscosity fluids. It can be widely used in the fields of Petrol, chemical industry, metallurgy, scientific research for measuring or control. Several output and display options can be selected.

- 1.PT: 3 wires, 24VDC power, pulse, output without local display
- 2.CT: 2wires, 24 VDC 4-20mA output without local display
- 3.BT: Battery power, instantaneous flowrate and totalizer
- 4.IT: 24VDC, 4-20mA and pulse output with instantaneous flowrate and totalizer



Clamp dimensions

DN (mm)	L	D	H	CH
15~25	70/90	54	325	385
32	85	69	325	385
40	85	79	325	385
50	85	89	330	390
65	85	104	340	400
80	90	119	360	420
100	90	139	380	440
125	95	168	405	465
150	100	194	430	490
200	102	248	485	545
250	115	300	540	600
300	130	350	590	650



Vortex Flowmeter Series

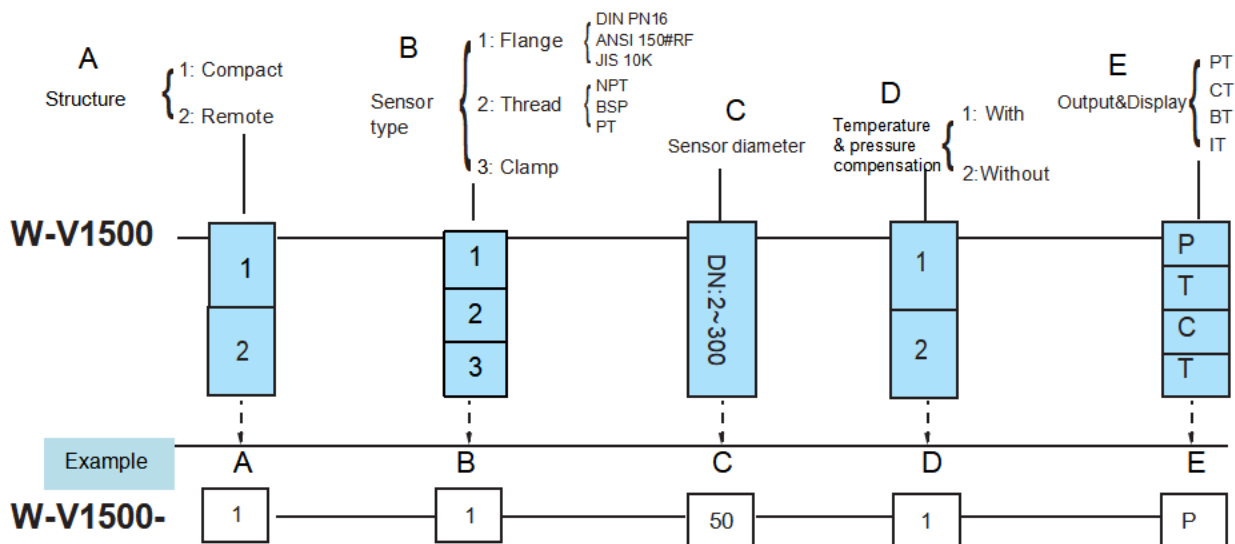
W-V1500 Vortex Flowmeter

Extent table of reference condition under working condition

DN (mm)	liquid		gas	
	range(m3/h)	Output frequency range(Hz)	Measurement range (m3/h)	Output frequency range(Hz)
25	1.2~16	25~336	8.8~55	190~1140
40	2~40	10~200	27~205	140~1040
50	3~60	8~160	35~380	94~1020
80	6.5~130	4.1~82	86~1100	55~690
100	15~220	4.7~69	133~1700	42~536
150	30~450	2.8~43	347~4000	33~380
200	45~800	2~31	560~8000	22~315
250	65~1250	1.5~25	890~11000	18~221
300	95~2000	1.2~24	1360~18000	16~213
(300)	100~1500	5.5~87	1560~15600	85~880
(400)	180~3000	5.6~87	2750~27000	85~880
(500)	300~4500	5.6~88	4300~43000	85~880
(600)	450~6500	5.7~89	6100~61000	85~880
(800)	750~10000	5.7~88	11000~110000	85~880
(1000)	1200~17000	5.8~88	17000~170000	85~880
>(1000)	agreement		agreement	

Remark:DN (300)~(1000) is insertion type

W-V1500 How to order



Flange Type Series

W-MT150F Metal Tube Rotameter

W-MT150 series metal tube rotameter is one of variable-area flowmeter with simple structure, work reliable, wide application field, high precision, convenient installing. It is suitable for compatible liquids, gases.

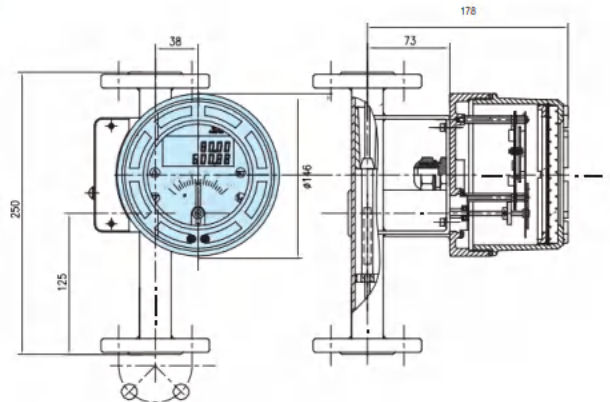
W-MT150 series metallic rotameter with LCD and 4-20mA electricity signal output, restrict alarm and many kinds of signal. Compared with other flowmeters, this series has the characteristics of high-pressure- proof, high-temperature proof, safety, ocular reading etc. It is suitable for chemical industry, petroleum, metallurgy, power plant, environmental protection, medical science.



(Ex-proof type)
M2 Indicator

Note: Indicators only means for case shapes.

Working temp.: $\leq 100^{\circ}\text{C}$
Working pressure: 1.6MPa



Specifications

DN mm	Measuring Range			Pressure Loss(KPa)			
	Water (L/h)		Air (Nm ³ /h)	Orifice Plate		Cone Pipe	
	Normal type	Corrosion-proof type	Normal/Corrosion-proof	Water	Air	Water	Air
15	2.5~25	- -	0.07~0.7	5.5	7.1	2.1	2.6
	4.0~40	2.5~25	0.11~1.1	5.5	7.2	2.1	2.6
	6.3~63	4.0~40	0.18~1.8	5.5	7.3	2.1	2.6
	10~100	6.3~63	0.28~2.8	5.6	7.5	2.1	2.6
	16~160	10~100	0.48~4.8	5.6	8.0	2.1	2.6
	25~250	16~160	0.7~7.0	5.8	10.8	2.1	2.6
	40~400	25~250	1.0~10.0	6.1	10.0	2.1	2.8
25	63~630	40~400	1.6~16	7.3	14.0	2.2	3.2
	100~1000	63~630	3~30	5.7	7.2	2.4	3.2
	160~1600	100~1000	4.5~45	5.9	7.7	2.4	3.3
	250~2500	160~1600	7~70	6.0	8.8	2.5	3.4
	400~4000	250~2500	11~110	6.8	12.0	2.6	3.8
40	160~1600	100~1000	4.5~45	9.2	19.0	3.0	4.5
	250~2500	160~1600	7~70	6.0	8.8	2.5	3.4
	400~4000	250~2500	11~110	6.8	12.0	2.6	3.8
50	630~6300	400~4000	18~180	9.2	19.0	3.0	4.5
	1000~10000	630~6300	25~250	6.8	8.6	3.3	7.4
	1600~16000	1000~10000	40~400	9.4	10.4	3.8	7.7
65	1600~16000	1000~10000	40~400	14.5	15.5	4.3	8.4
	2500~25000	1600~16000	70~700	6.0	10	3.0	5.5
	4000~40000	2500~25000	100~1000	6.9	12.9	3.6	6.8
80	2500~25000	1600~16000	70~700	8.0	18.5	4.6	8.7
	4000~40000	2500~25000	100~1000	6.9	12.9	3.6	6.8
100	6300~63000	4000~40000	160~1600	8.0	18.5	4.6	8.9
	10000~100000	6300~63000	250~2500	8.5	19.2	5.8	12.0

* Note: We need detail datas of working pressure, working temperature, density for gas medium.



Flange Type Series

W-MT150F Metal Tube Rotameter

W-MT150 series metal tube rotameter is one of variable-area flowmeter with simple structure, work reliable, wide application field, high precision, convenient installing. It is suitable for compatible liquids, gases.

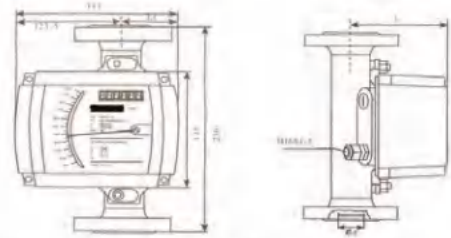
W-MT150 series metallic rotameter with LCD and 4-20mA electricity signal output, restrict alarm and many kinds of signal. Compared with other flowmeters, this series has the characteristics of high-pressure-proof, high-temperature proof, safety, ocular reading etc. It is suitable for chemical industry, petroleum, metallurgy, power plant, environmental protection, medical science.



M4 Indicator

(cone pipe)

Working temp.: $\leq 100^{\circ}\text{C}$
Working pressure: 1.6MPa



DIN		ANSI	L	L1	L2	ϕd	Weight	
DN	PN	inches	mm				DIN	ANSI
							kg	kg
15	40	1/2"	107	70.5	100	20	3.5	4.8
25	40	1"	119	70.5	100	32	5.2	6.7
50	40	2"	132	57.5	120	65	8.7	10.4
80	16	3"	148	57.5	160	89	12.0	14.0
100	16	4"	158	57.5	150	114	14.0	16.6

Note: Indicators only means for case shapes.

Specifications

DN mm	Measuring range			Pressure Loss(KPa)			
	Water (L/h)		Air (Nm ³ /h)	Orifice Plate		Cone Pipe	
	Normal type	Corrosion-proof type	Normal/Corrosion-proof	Water	Air	Water	Air
15	2.5~25	- -	0.07~0.7	5.5	7.1	2.1	2.6
	4.0~40	2.5~25	0.11~1.1	5.5	7.2	2.1	2.6
	6.3~63	4.0~40	0.18~1.8	5.5	7.3	2.1	2.6
	10~100	6.3~63	0.28~2.8	5.6	7.5	2.1	2.6
	16~160	10~100	0.48~4.8	5.6	8.0	2.1	2.6
	25~250	16~160	0.7~7.0	5.8	10.8	2.1	2.6
	40~400	25~250	1.0~10.0	6.1	10.0	2.1	2.8
25	63~630	40~400	1.6~16.0	7.3	14.0	2.2	3.2
	63~630	40~400	1.6~16	5.7	7.2	2.4	3.2
	100~1000	63~630	3~30	5.9	7.7	2.4	3.3
	160~1600	100~1000	4.5~45	6.0	8.8	2.5	3.4
	250~2500	160~1600	7~70	6.8	12.0	2.6	3.8
40	400~4000	250~2500	11~110	9.2	19.0	3.0	4.5
	160~1600	100~1000	4.5~45	6.0	8.8	2.5	3.4
	250~2500	160~1600	7~70	6.8	12.0	2.6	3.8
50	400~4000	250~2500	11~110	9.2	19.0	3.0	4.5
	630~6300	400~4000	18~180	6.8	8.6	3.3	7.4
	1000~10000	630~6300	25~250	9.4	10.4	3.8	7.7
65	1600~16000	1000~10000	40~400	14.5	15.5	4.3	8.4
	2500~25000	1600~16000	70~700	6.0	10	3.0	5.5
	4000~40000	2500~25000	100~1000	6.9	12.9	3.6	6.8
80	2500~25000	1600~16000	70~700	8.0	18.5	4.6	8.7
	4000~40000	2500~25000	100~1000	6.9	12.9	3.6	6.8
	2500~25000	1600~16000	70~700	8.0	18.5	4.6	8.9
100	2500~25000	1600~16000	70~700	6.9	12.9	3.6	6.8
	4000~40000	2500~25000	100~1000	8.0	18.5	4.6	8.9
100	6300~63000	4000~40000	160~1600	8.5	19.2	5.8	12.0
	10000~100000	6300~63000	250~2500	8.8	19.6	6.4	12.8

* Note: We need detail datas of working pressure, working temperature, density for gas medium.

Clamp Type Series

W-MT150K Metal Tube Rotameter



W-MT150 series metal tube rotameter is one of variable-area flowmeter with simple structure, work reliable, wide application field, high precision, convenient installing. It is suitable for compatible liquids, gases.

W-MT150 series metallic rotameter with LCD and 4-20mA electricity signal output, restrict alarm and many kinds of signal. Compared with other flowmeters, this series has the characteristics of high-pressure-proof, high-temperature proof, safety, ocular reading etc. It is suitable for chemical industry, petroleum, metallurgy, power plant, environmental protection, medical science.

M1 Indicator

Working temp.: $\leq 100^{\circ}\text{C}$

Working pressure: $\leq 1.6\text{MPa}$

Note: Indicators only means for case shapes.

Specifications

DN mm	Measuring Range			Pressure Loss(KPa)			
	Water (L/h)		Air (Nm ³ /h)	Orifice Plate		Cone Pipe	
	Normal type	Corrosion-proof type	Normal/Corrosion-proof	Water	Air	Water	Air
15	2.5~25	--	0.07~0.7	5.5	7.1	2.1	2.6
	4.0~40	2.5~25	0.11~1.1	5.5	7.2	2.1	2.6
	6.3~63	4.0~40	0.18~1.8	5.5	7.3	2.1	2.6
	10~100	6.3~63	0.28~2.8	5.6	7.5	2.1	2.6
	16~160	10~100	0.48~4.8	5.6	8.0	2.1	2.6
	25~250	16~160	0.7~7.0	5.8	10.8	2.1	2.6
	40~400	25~250	1.0~10.0	6.1	10.0	2.1	2.8
25	63~630	40~400	1.6~16.0	7.3	14.0	2.2	3.2
	100~1000	63~630	3~30	5.7	7.2	2.4	3.2
	160~1600	100~1000	4.5~45	5.9	7.7	2.4	3.3
	250~2500	160~1600	7~70	6.0	8.8	2.5	3.4
	400~4000	250~2500	11~110	6.8	12.0	2.6	3.8
40	160~1600	100~1000	4.5~45	6.0	8.8	2.5	3.4
	250~2500	160~1600	7~70	6.8	12.0	2.6	3.8
	400~4000	250~2500	11~110	9.2	19.0	3.0	4.5
50	630~6300	400~4000	18~180	6.8	8.6	3.3	7.4
	1000~10000	630~6300	25~250	9.4	10.4	3.8	7.7
	1600~16000	1000~10000	40~400	14.5	15.5	4.3	8.4
65	1600~16000	1000~10000	40~400	6.0	10	3.0	5.5
	2500~25000	1600~16000	70~700	6.9	12.9	3.6	6.8
	4000~40000	2500~25000	100~1000	8.0	18.5	4.6	8.7
80	2500~25000	1600~16000	70~700	6.9	12.9	3.6	6.8
	4000~40000	2500~25000	100~1000	8.0	18.5	4.6	8.9
100	6300~63000	4000~40000	160~1600	8.5	19.2	5.8	12.0
	10000~100000	6300~63000	250~2500	8.8	19.6	6.4	12.8

* Note: We need detail datas of working pressure, working temperature, density for gas medium.



Metal Tube Rotameter Series

W-MT150 Metal Tube Rotameter

How To order

W-MT150	Metal tube rotameters		
	Z	Flow rate field display	
	DZ	Flow rate field display with 4-20mA output.	
	D	Totalizer with flow rate LCD display, 4-20mA output.	
	DN15-150	Pipe size (mm)	
	tube	1	304SS, 1Cr18Ni9Ti
		2	316L, 00Cr17Ni14Mo2
		3	316SS, 0Cr18Ni12Mo2Ti
		4	Titanium alloy
		5	304 SS with PTFE liner
Meter selection	M1 indicator : for DN15~DN50 M2 indicator: aluminium alloy		
	M3 indicator: Explosionproof M4 indicator: All stainlesssteel		
Power Supply	0	Non	
	1	24V power supply (For 4~20mA output)	
	2	Battery power supply	
Flow	0	Without	
	H	High alarm	
	L	Low alarm	
Flow	VB	Vertical, from bottom to top	
	HR	Horizontal, from right to left	
	HL	Horizontal, from left to right	
Flow	0	Without	
	1	Keep warm	

W-MT150



Thermal Gas Mass Flowmeter Series

W-TM4000 Thermal Gas Mass Flowmeter



Flange type



Standard Insertion type



Hot-tapped Insertion Type

Features

- Measuring the mass flow or volume flow of gas
- Do not need to do temperature and pressure compensation in principle with accurate measurement and easy operation.
- Wide range: 0.5Nm/s ~ 100Nm/s for gas. The meter also can be used for gas leak detection
- Good vibration resistance and long service life. No moving parts and pressure sensor in transducer, no vibration influence on the measurement accuracy.
- Easy installation and maintenance. If the conditions on site are permissible, the meter can achieve a hot-tapped installation and maintenance. (Special order of custom-made)
- Digital design, high accuracy and stability
- Configuring with RS485 or HART interface to realize factory automation and integration



Thermal Gas Mass Flowmeter Series

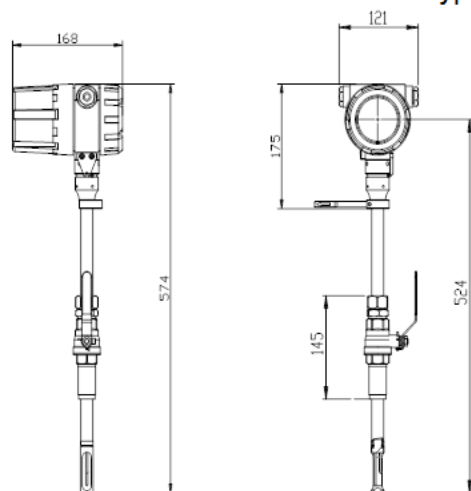
W-TM4000 Thermal Gas Mass Flowmeter

Description	Specifications
Measuring Medium	Various gases (Except the acetylene)
Pipe Size	DN10~DN4000mm
Velocity	0.1~100 Nm/s
Accuracy	±1~2.5%
Working Temperature	Sensor: -40℃~+220℃ Transmitter: -20℃~+45℃
Working Pressure	Insertion Sensor: medium pressure≤ 1.6MPa Flanged Sensor: medium pressure≤ 1.6MPa Special pressure please contact us
Power Supply	Compact type: 24VDC or 220VAC, Power consumption ≤18W Remote type: 220VAC, Power consumption ≤19W
Response Time	1s
Output	4-20mA (optoelectronic isolation, maximum load 500Ω), Pulse, RS485 (optoelectronic isolation) and HART
Alarm Output	1-2 line Relay, Normally Open state, 10A/220V/AC or 5A/30V/DC
Sensor Type	Standard Insertion, Hot-tapped Insertion and Flanged
Construction	Compact and Remote
Pipe Material	Carbon steel, stainless steel, plastic, etc
Display	4 lines LCD Mass flow, Volume flow in standard condition, Flow totalizer, Date and Time, Working time, and Velocity, etc.
Protection Class	IP65
Sensor Housing Material	Stainless steel (316)

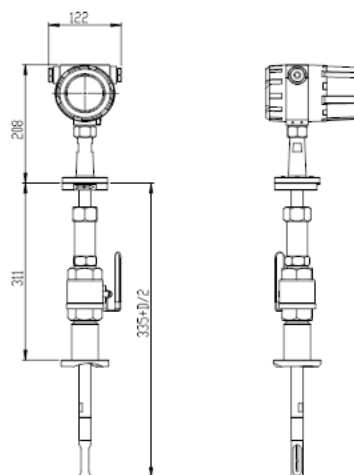
Thermal Gas Mass Flowmeter Series

W-TM4000 Thermal Gas Mass Flowmeter

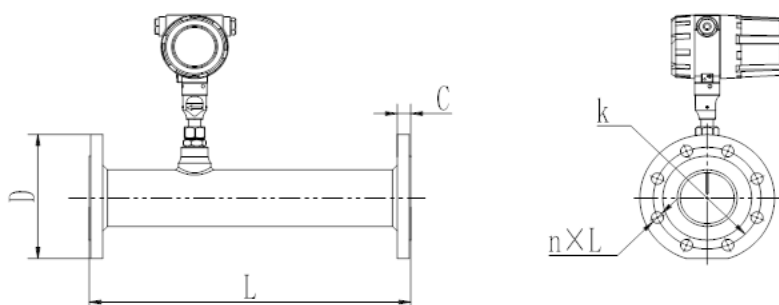
Dimensions of standard insertion type



Dimensions of hot-tapped insertion type



Dimensions of flange type



PN1.6Mpa Plane and surface plate flat welding steel pipe flanges (Unit: mm)

Nominal Diameter	Flange Outer diameter	Center Hole	Screw Hole	Screw Thread	Sealing Face		Flange Thickness	Pipeline Length
					d	f		
DN	D	k	n×L		d	f	C	L
15	95	65	4×14	M12	46	2	14	250
20	105	75	4×14	M12	56	2	16	250
25	115	85	4×14	M12	65	2	16	250
32	140	100	4×18	M16	76	2	18	250
40	150	110	4×18	M16	84	2	18	250
50	165	125	4×18	M16	99	2	20	280
65	185	145	4×18	M16	118	2	20	280
80	200	160	8×18	M16	132	2	20	280
100	220	180	8×18	M16	156	2	22	280

Remark: For DN15-DN80, the meter can be made with threading to connect.

The above table is used for rated pressure of 1.6MPa. If the rated pressure is more than 1.6MPa, please contact us for special order.



Oval Gear Flowmeter Series

W-G200 Oval Gear Flowmeter



The oval gear flow meter is a kind of volumetric measuring instrument and is mainly composed of meter shell, oval gear rotor and transmission parts. It is an instrument used for continuous or discontinuous metering and control of liquids in the pipeline. It has advantages of larger metering range, excellent accuracy, small pressure loss, high viscosity adaptability, capability of measuring high-temperature and high-viscosity liquids, convenient demarcation and simple installation etc.. It is applicable to the calibration and metering of crude oil, chemical, chemical fiber, traffic, commerce, food, medicine and health, scientific research and military etc.

Model	DN	Viscosity of measured liquid (mpa.s)							
		<0.3	0.3-0.8	0.8-2	2-8		8-200		
LC-10	10		0.2-0.4		0.08-0.4	0.1-0.4	0.08-0.4	0.08-0.4	0.04-0.4
LC-15	15		0.75-1.5		0.3-1.5	0.3-1.5	0.3-1.5	0.3-1.5	0.15-1.5
LC-20	20		1.5-3	1-3	0.4-3	0.6-3	0.4-3	0.5-3	0.3-3
LC-25	25	4-6	3-6	2-6	0.8-6	1.2-6	0.8-6	1-6	0.6-6
LC-40	40	9-15	7.5-15	5-15	2-15	3-15	2-15	2.5-15	1.5-15
LC-50	50	10-24	8-24	8-24	3-24	3-24	3-24	4-24	2.4-24
LC-65	65	16-40	20-40	15-40	5-40	8-40	5-40	6-40	4-40
LC-80	80	24-60	30-60	20-60	6-60	12-60	6-60	10-60	6-60
LC-100	100	40-100	50-100	34-100	10-100	20-100	10-100	16-100	10-100
LC-150	150	75-190	95-190	64-190	19-190	38-190	19-190	32-190	19-190
LC-200	200	140-340	170-340	114-340	34-340	68-340	34-340	56-340	34-340
Accuracy		0.5	0.5	0.2	0.5	0.2	0.5	0.2	0.5

Oval Gear Flowmeter Series

W-G200 Oval Gear Flowmeter

Materials of main parts and the nominal operating pressure

Type	Shell and cover	Cover plate	Oval wheel	Rotary shaft	Bushing	Nominal pressure (MPa)
A	Cast steel	Cast iron	Cast iron, Stainless steel Alloy aluminum, engineering material	Stainless steel	Bronze(with oil) or rolling bearing	1.6
E	Cast steel	Cast iron				Under DN50 6.3 DN80-100 4.0 6.3 DN150-200 2.5
Q	Cast iron	Cast iron			Bronze(with oil) or rolling bearing, graphite	1.6
L	Cast aluminum	Cast iron, Stainless steel			graphite	1.6、 2.5
B、 C	Stainless steel	Stainless steel	Stainless steel		Bronze(with oil), graphite、 rolling bearing	1.6

Remark:1. SS316 for type C; SS304 for type-B.

2. Flange is convex under 2.5MPa ,and roughness at 6.3 MPa;and both of the above at 4.0 Mpa.

Technical Data

Cast Iron type (A) , Cast Steel type (E) , Stainless Steel type (B)

Model Item	LC-A Cast Iron		LC-E Cast Steel		LC-B Stainless Steel	
Pressure (MPa)	1.0, 1.6		2.5, 4.0, 6.4		1.0, 1.6	
Medium's Viscosity	2~8mPa.s					
Operating Temperature	-20~100deg C					
Flow range m ³ /h						
Model	LC-A Cast Iron		LC-E Cast Steel		LC-B Stainless Steel	
Nominal size	0.5	0.2	0.5	0.2	0.5	0.2
10	0.08~0.4	0.1~0.4	0.08~0.4	0.1~0.4	0.1~0.5	0.1~0.5
15	0.25~1.5	0.5~1.5	0.25~1.5	0.3~1.5	0.3~1.5	0.3~1.5
20	0.5~3	0.6~3	0.5~3	0.6~3	0.6~3	0.6~3
25	1~6	1.2~6	1~6	1.2~6	1.2~6	1.2~6
40	2.5~15	3~15	2.5~15	3~15	3~15	3~15
50	4~24	4.8~24	4~24	4.8~24	4.8~24	4.8~24
80	10~60	12~60	10~60	12~60	12~60	12~60
100	16~100	20~100	16~100	20~100	20~100	20~100
150	32~190	38~190	32~190	38~190	38~190	38~190
200	34~340	68~340	34~340	68~340	68~340	68~340

High temperature Cast Iron (TA), Cast Steel type (TE) , Stainless Steel type (TB)



Oval Gear Flowmeter Series

W-G200 Oval Gear Flowmeter

Type code	Special symbol	Special function	Material		DN	Special requirement	Allowable pressure	Counter	Pulse transmitter	Accuracy	Illumination
			shell	rotor							
1	2	3	4	5	6	7	8	9	10	11	12
A											Oval flowmeter
	U										Matched thermal insulation
	G										tube thread
	H										Flowmeter of welded steel
		D									Flowmeter of batch meter
		N									Flowmeter of large viscosity
		SP									flowmeter for foodstuff
		T _{1,2}									radiator (1 for long, 2 for short)
		Q									Meter for gas
			A								Cast iron meter
			B/C								Stainless steel meter
			E								Cast steel meter
			L								Alloy aluminum meter
				A							Material is cast iron
				B/C							Material is stainless steel
				L							Material is alloy aluminum
				Z							Material is engineering material
					10						Nominal diameter 10 mm
				
					200						Nominal diameter 200 mm
						S					Flange shrunk(widened)
						II					Improved type
							.2/				1.6 MPa
							.3/				2.5 MPa
							.4/				4.0 MPa
							.6/				6.3 MPa
								A, A ₁			Used for counter under DN40
								A ₅ , J ₁			Single pointer counter
								BELZ			Counter with electric return-to-zero counter
								A ₆ , Z			used for type LC13
								FX			12V three-cable photo-electric
								GF- I			24V three-cable photo-electric
								GF- II			4—20mA analog signal output
								MF			High accuracy meter
									J		

Remark:

- When the oval wheel's material is same with the shell's, it can be not indicated;
- B³—SS304; C—SS316;
- B before generator means separation generator;
- if without radiator the meter could be only marked T;
- At past LC11 was used as on-site indicator and LC12 as meter with transmitter. New clients are proposed to use this new marker and old customers may use the old ones.

Example: A - T E 80 . 3 / A₅ GF- II

Special flange standard:

AS	JS	TB
American standard	Japanese standard	User-defined

Ultrasonic Water Meter Series

W-U800W Ultrasonic Water Meter

Complete Specifications



DN15-DN40



DN50-DN150



DN200-DN800

DN15-DN40 Single channel small ultrasonic water meter (Copper,SS304/SS316L)

DN50-DN150 Dual/four channel ultrasonic water meter (Carbon steel, SS304/316L)

DN150-DN800 Dual/four channel ultrasonic water meter (Carbon steel,SS304/316L)

Ordering Code

A B C D E
 W-U800W01- - - - -

Letter	Items	Parameter	Remarks
A	Caliber	DN15-DN40 DN50-DN800	Choose the pipe diameter
B	Channel number	1 one channel 2 dual channel 4 four channels	One channel: DN15-DN40 dual channel: DN50and above four channels: DN80and above
C	Materials	1 carbon steel 2 copper 3 304 stainless steel 4 316 stainless steel	DN15-DN40option of 2,3,4 DN50and above option of 1,3,4,
D	Pressure level	1.0 1.6 2.5	Standard configuration1,6
E	Communication interface and power supply	1 RS485 & DC8-24V 2 RS485 & M-BUS 3 NB-lot 4 4G network communication 5 RS485 & OCT&DC8-24V	Standard configuration1

Example: W-U800W01-DN100-4-3-1.6-1 Explanation: W-U800W01 ultrasonic water meter, DN100 caliber, four channels, 304 stainless steel, communication interface with RS485, DC8-24V external power supply for outputting.



Wall-mounted Type Series

W-U800R Ultrasonic Flowmeter



W-U800R












Parameters

Items		Performance & Parameter
Converter	Principle	Time-transmit ultrasonic flowmeter
	Accuracy	±1%
	Display	2×20 character LCD with backlight , support language Chinese, English, Italy,Turkish
	Signal Output	1 way 4~20mA output, electric resistance 0~1K, accuracy0.1%
		1 way OCT pulse output (Pulse width 6~ 1000ms, default is 200ms)
		1 way Relay output
	Signal Input	3 way 4~20mA input, accuracy 0.1%, acquisition signal such as temperature, press and liquid level
Connect the temperature transducer Pt100, can finish the heat/energy measurement		
Data Interface	Insulate Rs485 serial interface, upgrade the flowmeter software by computer, support the MODBUS	
Special Cable	Twisted-pair cable, generally, the length under 50 meters; Select the RS485, transmission distance can over 1000m	
Pipe Installation Condition	Pipe Material	Steel, Stainless steel, Cast iron, Copper, Cement pipe, PVC, Aluminum, Glass steel product, liner is allowed
	Pipe Diameter	25~6000mm
	Straight Pipe	Transducer installation should be satisfied: upstream10D, downstream 5D, 30D from the pump
Measuring Medium	Type of Liquid	Single liquid can transmit sound wave, such as Water (hot water, chilled water, city water, sea water, waste water, etc.); Sewage with small particle content; Oil (crude oil, lubricating oil, diesel oil, fuel oil, etc.); Chemicals (alcohol, etc.); Plant effluent; Beverage; Ultra- pure liquids, etc.
	Turbidity	No more than 10000ppm and less bubble
	Flowrate	0~±7m/s
Working Environment	Temperature	Converter: -20~60℃; Flow Transducer: -30~160℃
	Humidity	Converter: 85% RH; Flow Transducer: can measure under water, water depth≤2m (tansducer sealed glue)
Power Supply	DC8~36V or AC85~264V	
Power consumrtion	1.5W	
Dimension	132*150*85MM(Converter)	





Wall-mounted Type Series

W-U800R Ultrasonic Flowmeters

Optional sensors

Types	Picture	Spec.	Model	Measurement Range	Temperature	Dimension
Clamp on		Small Size	S-2	DN15~DN100	-30~90℃	45×25×32mm
		Medium Size	M-1	DN50~DN700	-30~90℃	64×39×44mm
		Large Size	L-1	DN300~DN6000	-30~90℃	97×54×53mm
High temp clamp on		Small Size	S-2-HT	DN15~DN100	-30~160℃	45×25×32mm
		Medium Size	M-1-HT	DN50~DN700	-30~160℃	64×39×44mm
		Large Size	L-1-HT	DN300~DN6000	-30~160℃	97×54×53mm
Insertion		Standard	C-1	DN80~DN6000	-30~160℃	190×80×55mm
		Lengthen	C-2	DN80~DN6000	-30~160℃	335×80×55mm
Pipe		π type	G3	DN15~DN25	-30~160℃	Pls refer to detailed pipe dimensions
		Standard	G2	DN32~DN40	-30~160℃	
		Standard	G1	DN50~DN6000	-30~160℃	

Optional temperature sensors

Picture	Specification	Model	Meas. Range	Temperature	Cut of water	Accuracy
	Clamp on temperature Transducer Pt100	CT-1	≥DN50	-40~160℃	No	100℃±0.8℃
	Insertion temperature Transducer Pt100	TCT-1	≥DN50	-40~160℃	Yes	
	Insertion Pt100 Installation with pressure	PCT-1	≥DN50	-40~160℃	No	
	Insertion Pt100 Small size pipe diameter	SCT-1	<DN50	-40~160℃	Yes	

W-U800R How to order

W-U800R-	<small>flow Transducer</small>	-DN	<small>Diameter</small>	mm -	<small>Pipe Material</small>	-	<small>Pressure</small>	MPa -	<small>Cable Length</small>	m -	<small>Temperature Transducer</small>
	S-2 M-1 L-1 S-2-HT M-1-HT L-1-HT C-1 C-2 G				0 Carbon Steel 1 Stainless Steel 2 Cast Iron 3 Glass Fiber reinforced 4 PVC 5 Cement 6 Others						None CT-1 TCT-1 PCT-1 SCT-1

Example: W-U800R+M-1+DN300+0+1.6MPa+10m+PCT-1

PS: Standard configuration = W-U800R(converter)+M-1 +5M cable +Steel belt(DN200)+ Couplant (1pc)



Fixed Integral Type Series

W-U800C Ultrasonic Flowmeter



W-U800C












Parameters

Items		Performance & Parameter
Converter	Principle	Transit- time ultrasonic flowmeter
	Accuracy	± 1%
	Operation	Support 4 keyboards magnetic bar/4 touch keyboards/simulation keyboard software
	Signal Output	1 way 4~20mA output, electric resistance 0~1K, accuracy 0.1%
		1 way OCT pulse output (Pulse width 6~1000ms, default is 200ms)
		1 way Relay output
	Signal Input	3 way 4~20mA input, accuracy 0.1%, acquisition signal such as temperature, press and liquid level
Connect the temperature transducer Pt100, can finish the heat/energy measurement		
Data Interface	Insulate Rs485 serial interface, upgrade the flowmeter software by computer, support the MODBUS	
Special Cable	Twisted-pair cable, generally, the length under 50 meters; Select the RS485, transmission distance can over 1000m	
Pipe Installation Condition	Pipe Material	Steel, Stainless steel, Cast iron, Copper, Cement pipe, PVC, Aluminum, Glass steel product, liner is allowed
	Pipe Diameter	15~6000mm
	Straight Pipe	Transducer installation should be satisfied: upstream 10D, downstream 5D, 30D from the pump
Measuring Medium	Type of Liquid	Single liquid can transmit sound wave, such as Water (hot water, chilled water, city water, sea water, waste water, etc.); Sewage with small particle content; Oil (crude oil, lubricating oil, diesel oil, fuel oil, etc.); Chemicals (alcohol, etc.); Plant effluent; Beverage; Ultra- pure liquids, etc.
	Temperature	-30~160℃
	Turbidity	No more than 10000ppm and less bubble
	Flowrate	0~±7m/s
Working Environment	Temperature	Converter: -20~60℃; Flow Transducer: -30~160℃
	Humidity	Converter: 85% RH; Flow Transducer: can measure under water, water depth ≤ 2m (transducer sealed glue)
Power Supply	DC 8~36V or AC 85~264V (optional)	
Power Consumption	1.5W	
Dimension	11*11*9.5cm	





Fixed Type Series

W-U800C Ultrasonic Flowmeters







Optional sensors

Types	Picture	Spec.	Model	Measurement Range	Temperature	Dimension
Clamp on		Small Size	S-2	DN15~DN100	-30~90℃	45×25×32mm
		Medium Size	M-1	DN50~DN700	-30~90℃	64×39×44mm
		Large Size	TL-1	DN300~DN6000	-30~90℃	97×54×53mm
High temp clamp on		Small Size	S-2-HT	DN15~DN100	-30~160℃	45×25×32mm
		Medium Size	M-1-HT	DN50~DN700	-30~160℃	64×39×44mm
		Large Size	L-1-HT	DN300~DN6000	-30~160℃	97×54×53mm
Insertion		Standard	C-1	DN80~DN6000	-30~160℃	190×80×55mm
		Lengthen	C-2	DN80~DN6000	-30~160℃	335×80×55mm
Pipe		π type	G3	DN15~DN25	-30~160℃	Pls refer to detailed pipe dimensions
		Standard	G2	DN32~DN40	-30~160℃	
		Standard	G1	DN50~DN6000	-30~160℃	

Optional temperature sensors

Picture	Specification	Model	Meas. Range	Temperature	Cut of water	Accuracy
	Clamp on temperature Transducer Pt100	CT-1	≥DN50	-40~160℃	No	100℃±0.8℃
	Insertion temperature Transducer Pt100	TCT-1	≥DN50	-40~160℃	Yes	
	Insertion Pt100 Installation with pressure	PCT-1	≥DN50	-40~160℃	No	
	Insertion Pt100 Small size pipe diameter	SCT-1	<DN50	-40~160℃	Yes	

W-U800C How to order

W-U800C-		DN		mm	-		-		MPa	-		m	-	
	S-2					0		Carbon Steel						None
	M-1					1		Stainless Steel						CT-1
	L-1					2		Cast Iron						TCT-1
	S-2-HT					3		Glass Fiber reinforced						PCT-1
	M-1-HT					4		PVC						SCT-1
	L-1-HT					5		Cement						
	C-1					6		Others						
	C-2													
	G													

Example: W-U800C+M-1+DN300+0+1.6MPa+10m+PCT-1

PS: Standard configuration =W-U800C(converter)+M-1+5M cable +Steel belt(DN200)+ Couplant (1pc)



Portable Type Series

W-U800P Ultrasonic Flowmeter



W-U800P

Parameters

Items		Performance & Parameter
Flow meter	Principle	Transit time ultrasonic flowmeter
	Accuracy	± 1%
	Display	2×20 character LCD with backlight, support the language of Chinese, English and Italian
	Signal Output	1 way 4-20mA output, electric resistance 0~1K, accuracy 0.1%
		1 way OCT pulse output(Pulse width 6~1000ms, the default value is 200ms)
		1 way relay output
	Signal Input	3 way 4-20mA input, acquire signals such as temperature, press and liquid level.
		Achieve to heat measurement by connecting the temperature transducer PT100.
Data Interface	RS485 serial interface, upgrade the flowmeter software by computer, support MODBUS	
Data Record	Thermal printer, external SD card(2G of capacity)	
Pipe Installation Condition	Pipe Material	Steel, Stainless steel, Cast iron, Copper, Cement pipe, PVC, Aluminum, Glass steel product, liner is allowed.
	Pipe Diameter	15~6000mm
Measuring Medium	Straight Pipe	Transducer installation should be satisfied: upstream 10D, downstream 5D, 30D from the pump.
	Type of Liquid	Single liquid can transmit sound wave, such as water, sewage, oil, chemicals, plant effluent, beverage, ultra-pure liquids, etc.
	Temperature	-30~ 160℃
	Turbidity	Less than 10000ppm and little bubble
	Flowrate	0~ ± 10m/s
Working Environmen	Temperature	Converter: -20~60; Transducer: -30~160
	Humidity	Converter : 85%RH; TransducerI protection level:IP67
Power Supply	8 built-in Ni-MH batteries 1.2V(for over 20 hours of operation). Could operate 8 hours by connecting 4-20mA signal output. 90V - 260V AC adapter	
Power Consumption	1. 5W	

Portable Type Series

W-U800P Ultrasonic Flowmeters

Optional sensors

Types	Picture	Spec.	Model	Measurement Range	Temp.	Dimension
Clamp on		Small Size	S-2	DN15~DN100	-30~90℃	45×25×32mm
		Medium Size	M-1	DN50~DN700	-30~90℃	64×39×44mm
		Large Size	L-1	DN300~DN6000	-30~90℃	97×54×53mm
High temperature clamp on		Small Size	S-2-HT	DN15~DN100	-30~160℃	45×25×32mm
		Medium Size	M-1-HT	DN50~DN700	-30~160℃	64×39×44mm
		Large Size	L-1-HT	DN300~DN6000	-30~160℃	97×54×53mm
Mounting Bracket Clamp on		Small Size	HS	DN15~DN100	-30~90℃	318×59×85mm
		Medium Size	HM	DN50~DN300	-30~90℃	568×59×85mm
		Extended	EB-1	DN300~DN700	-30~90℃	188×59×49mm
High Temperature Mounting Bracket Clamp on		Small Size	HS-HT	DN15~DN100	-30~160℃	318×59×110mm
		Medium Size	HM-HT	DN50~DN300	-30~160℃	568×59×110mm
		Extended	EB-1-HT	DN300~DN700	-30~160℃	188×59×49mm

W-U800P How to order

W- U800P	-	optional transducers (you may choose more than one options)	-	cable length	-	output
1	S-2	standard small size	5	5m × 2 (standard)	N	no output
2	M-1	standard medium size	10	10m × 2	1	4-20mA output
3	L-1	standard large size				
4	S-2-HT	high temperature small size high				
5	M-1-HT	temperature medium size high				
6	L-1-HT	temperature large size smallsize				
7	HS	mounting bracket medium size				
8	HM	mounting bracket extended				
9	EB-1	mounting bracket				
10	HS-HT	high temperature small size mounting bracket high				
11	HM-HT	temperature medium size mounting bracket high				
12	EB-1-HT	temperature extended mounting bracket				

Example: W - U800P - 1, 2, 3 - 5 - N

Explanation: portable ultrasonic flow meter, small size clamp on transducer, medium size clamp on transducer, large size clamp on transducer, cable length 5m×2, no 4-20mA output



W-U800H













Parameters

Items		Performance & Parameter
Convertor	Principle	Transit- time ultrasonic flowmeter
	Accuracy	± 1%
	Display	2× 16 character LCD with backlight, support the language of English
	Data Interface	Insulate Rs232 serial interface, upgrade the flowmeter software by computer
Pipe Installation Condition	Pipe Material	Steel, Stainless steel, Cast iron, Copper, Cement pipe, PVC, Aluminum, Glass steel product, liner is allowed
	Pipe Diameter	25~6000mm
	Straight Pipe	Transducer installation should be satisfied: upstream10D, downstream 5D, 30D from the pump
Measuring Medium	Type of Liquid	Single liquid can transmit sound wave, such as Water (hot water, chilled water, city water, sea water, waste water, etc.); Sewage with small particle content; Oil (crude oil, lubricating oil, diesel oil, fuel oil, etc.); Chemicals (alcohol, etc.); Plant effluent; Beverage; Ultra- pure liquids, etc.
	Temperature	-30~160℃
	Turbidity	No more than 10000ppm and less bubble
	Flowrate	0~ ± 10m/s
Working Environment	Temperature	Convertor: -20~60℃; Flow Transducer: -30~160℃
	Humidity	Convertor: 85% RH; Flow Transducer: Ip67
Power Supply	3 AAA built-in Ni-MH batteries 1.2V(for over 12 hours of operation). 90V-260V AC adapter	
Power Consumption	1. 5W	
Case Material	ABS	
Dimension	200*93*32MM(Convertor)	

Handhold Type Series

W-U800H Ultrasonic Flowmeters

Optional sensors

Types	Picture	Spec.	Model	Measurement Range	Temperature	Dimension
Clamp on		Small Size	S-2	DN15~DN100	-30~90℃	45×25×32mm
		Medium Size	M-1	DN50~DN700	-30~90℃	64×39×44mm
		Large Size	L-1	DN300~DN6000	-30~90℃	97×54×53mm
High Temperature Clamp on		Small Size	S-2-HT	DN15~DN100	-30~160℃	45×25×32mm
		Medium Size	M-1-HT	DN50~DN700	-30~160℃	64×39×44mm
		Large Size	L-1-HT	DN300~DN6000	-30~160℃	97×54×53mm
Mounting Bracket Clamp on		Small Size	HS	DN15~DN100	-30~90℃	318×59×85mm
		Medium Size	HM	DN50~DN300	-30~90℃	568×59×85mm
		Extended	EB-1	DN300~DN700	-30~90℃	188×59×49mm
High Temperature Mounting Bracket Clamp on		Small Size	HS-HT	DN15~DN100	-30~160℃	318×59×110mm
		Medium Size	HM-HT	DN50~DN300	-30~160℃	568×59×110mm
		Extended	EB-1-HT	DN300~DN700	-30~160℃	188×59×49mm

W-U800H How to order

W-U800H - Optional Transducer - Cable length

5 5m×2 (Standard)

10 10m×2

Example: W-U800H+HM++ 10m

PS: Standard configuration = W-U800H (converter)+TM- 1+5M*2 cable +Stretcher+Couplant(1 pc)+ Carrying case+Ruler



Magnetic Level Indicator Series

W-ML2000 Magnetic Level Indicator

- Full stainless steel construction
- Side or top installation

Our bypass level indicators are simple, rugged devices designed to indicate or transmit the level of liquids. They indicate level using a float magnetically coupled to a column of rotating flaps. Bistable switches can be attached to the measuring tube to detect level.

The Advanced version is ideal for measuring liquids with density range of 0.54...2.0 g/cm³ / 33.7. 124.8 lb/ft³, temperatures up to 100°C or pressures up to 10 bar Level can also be transmitted via an analog transmitter of 4-20mA signal and alarm switch

- Proven technology
- Less risk of leakage than a sight glass - little or no maintenance needed
- Easy to install
- No power required - permanent local indication
- Indicator is isolated from process (magnetically-coupled)
- Optimal construction: weight is kept to the minimum



Industries

- Chemical
- Oil
- Petrochemical
- Water

Applications

- Low- and medium-pressure storage tanks
- Process tank
- Separators
- Distillation tank

Specifications

1 Local indicator

Flow range: 0.3-10m

Working pressure: 0-1.0Mpa(max 4.0Mpa as special)

Working temperature: -40-100°C (max 250°C as special)

Magnetic Level Indicator Series

W-ML2000 Magnetic Level Indicators

Medium density: $\geq 450\text{kg/m}^3$

Medium density error: $\leq 150\text{kg/m}^3$

Medium viscosity: $\leq 150\text{cp}$

Wetted material: stainless steel(SS304,SS316L),PTFE liner,PP

2 Transmitter

Power: 12.5-36VDC output signal: 4-20mA

environment temperature: $-40\text{--}60^\circ\text{C}$

ex-proof type: ibllcT4, Diibt4 protection: IP65 consumption: 0.5W

3 alarm switch controller

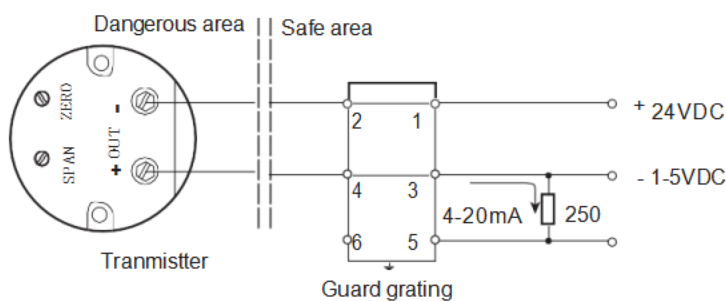
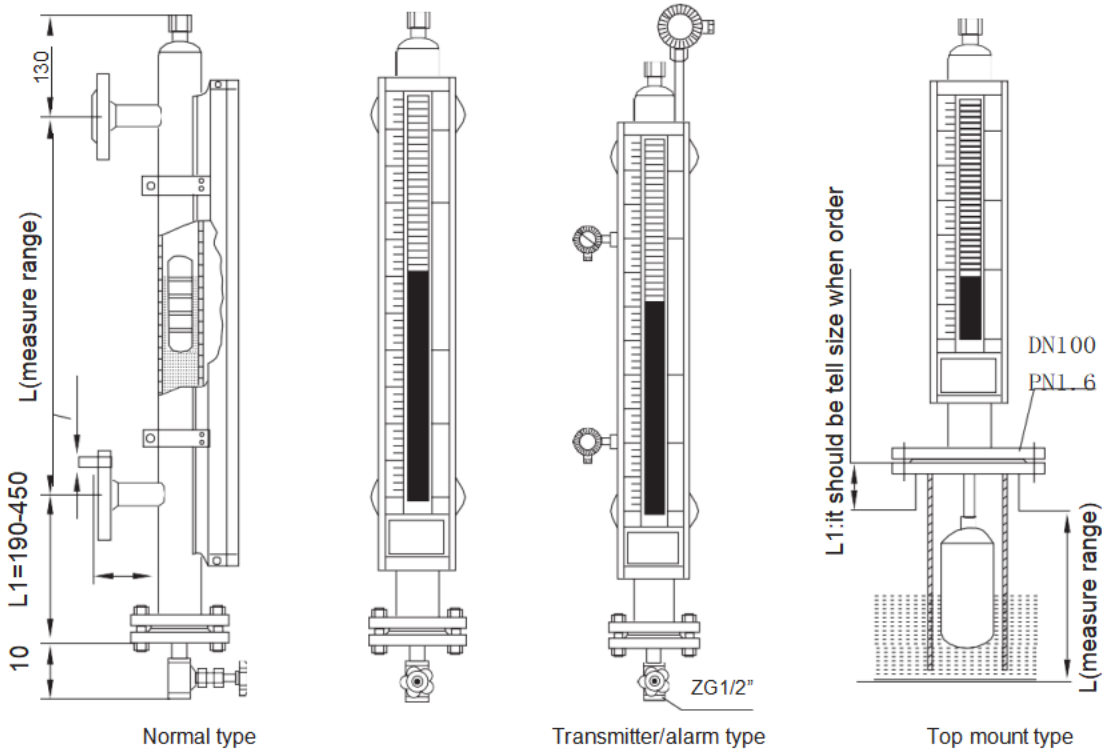
Contact capacity: 220VAC/1A

Output: normal open normal closed contact

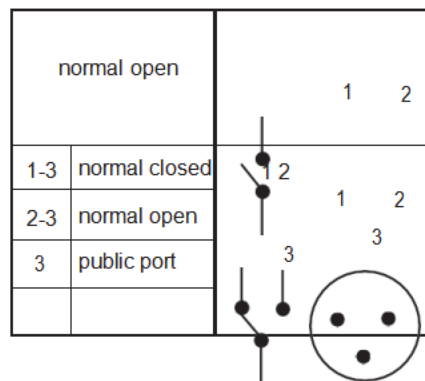
Alarm accuracy: $\pm 5\text{mm}$

Power: 24VDC or 220VAC

Installation dimensions



normal type, ex-proof type wiring when without guard grating



alarm switch wiring



W-R800 Series

Radar Level Meters

W-R810CL



Application: All kinds of corrosive liquid
Measuring Range: 10 meters
Process Connection: Thread, Flange
Medium Temperature: $-40^{\circ}\text{C} \sim 130^{\circ}\text{C}$
Process Pressure: $-0.1 \sim 0.3 \text{ MPa}$
Accuracy: $\pm 5 \text{ mm}$
Protection Grade: IP67
Frequency Range: 26GHz
Signal Output: 4...20mA/HART (Two-wire / Four)
RS485/ Modbus
Explosion-proof Grade: Exia II C T6 Ga
Exd ia II C T6 Gb

W-R830L



Application: Liquid
Measuring Range: 30 meters
Process Connection: Thread, Flange
Medium Temperature: $-40^{\circ}\text{C} \sim 250^{\circ}\text{C}$
Process Pressure: $-0.1 \sim 4.0 \text{ MPa}$
Accuracy: $\pm 3 \text{ mm}$
Protection Grade: IP67
Frequency Range: 26GHz
Signal Output: 4...20mA/HART (Two-wire / Four)
RS485/ Modbus
Explosion-proof Grade: Exia II C T6 Ga
Exd ia II C T6 Gb

W-R870S



Application: Solid material, Strong dust
easy to crystallize, condensation occasion
Measuring Range: 70 meters
Process Connection: Universal Flange
Medium Temperature: $-40^{\circ}\text{C} \sim 250^{\circ}\text{C}$
Process Pressure: $-0.1 \sim 0.1 \text{ MPa}$
Protection Grade: IP67
Accuracy: $\pm 15 \text{ mm}$
Frequency Range: 26GHz
Signal Output: 4...20mA/HART (Two-wire / Four)
RS485/ Modbus
Explosion-proof Grade: Exia II C T6 Ga
Exd ia II C T6 Gb

W-R880S



Application: Solid material, Strong dust,
easy to crystallize, condensation occasion
Measuring Range: 80 meters
Process Connection: Universal Flange
Medium Temperature: $-40^{\circ}\text{C} \sim 250^{\circ}\text{C}$
Process Pressure: $-0.1 \sim 0.1\text{MPa}$
Accuracy: $\pm 15\text{mm}$
Protection Grade: IP67
Frequency Range: 26GHz
Signal Output: 4... 20mA/HART (Two-wire / Four)
RS485/ Modbus
Explosion-proof Grade: Exia II C T6 Ga
Exd ia II C T6 Gb

W-R830S



Application: Solid particles, Powder
Measuring Range: 30 meters
Process Connection: Thread, Flange
Medium Temperature: $-40^{\circ}\text{C} \sim 250^{\circ}\text{C}$
Process Pressure: $-0.1 \sim 4.0\text{MPa}$ (Flat flange)
 $-0.1 \sim 0.1\text{MPa}$ (Universal Flange)
Accuracy: $\pm 10\text{mm}$
Protection Grade: IP67
Frequency Range: 26GHz
Signal Output: 4... 20mA/HART (Two-wire / Four)
RS485/ Modbus
Explosion-proof Grade: Exia II C T6 Ga
Exd ia II C T6 Gb

W-R820H



Application: Hygienic liquid storage,
Corrosive container
Measuring Range: 20 meters
Process Connection: Flange
Medium Temperature: $-40^{\circ}\text{C} \sim 150^{\circ}\text{C}$
Process Pressure: $-0.1 \sim 0.1\text{MPa}$
Accuracy: $\pm 3\text{mm}$
Protection Grade: IP67
Frequency Range: 26GHz
Signal Output: 4... 20mA/HART (Two-wire / Four)
RS485/ Modbus
Explosion-proof Grade: Exia II C T6 Ga
Exd ia II C T6 Gb



W-U800 Series

Ultrasonic Level Meters

W-U800A



Measuring Range: 5m,8m,10m,12m,15m
Process Connection: M60X2 or 61MM
Material: ABS+PP
Accuracy: $\pm 0.3\%$
Protection Grade: IP65
Display: OLED
Signal Output: 4...20mA/HART (Two-wire / Four) RS485/ Modbus
Explosion-proof Grade: Exia II BT4 Gb

W-U800B



Measuring Range: 2m、 5m、 8m、 10m、 12m、 15m、 20m、 25m、 30m
Process Connection: G1 1/2、 M60×2、 M30×1.5M
Material: ABS+PP
Accuracy: $\pm 0.3\%$
Protection Grade: IP65
Display: LCD
Signal Output: 4...20mA/HART (Two-wire / Four) RS485/ Modbus
Explosion-proof Grade: Exia II BT4 Ga

W-U800M



Measuring Range: 5m,8m,10m,12m,15m
Process Connection: M60X2 or 61MM
Material: ABS+PP Housing:Cast-alumimium
Accuracy: $\pm 3\%$
Protection Grade: IP65
Display: OLED
Signal Output: 4...20mA/HART
Explosion-proof Grade: ExialBT4Ga

W-U800D



Measuring Range: 20m,25m,30m,35m,40m
Process Connection: DN80 non-standard flange
Material: ABS+PP Housing:Cast-alumimium
Accuracy: $\pm 3\%$
Protection Grade: IP65
Display: LCD
Signal Output: 4...20mA/HART
Explosion-proof Grade: ExialBT4Ga

W-U800 Series

Ultrasonic Open Channel Flowmeters

W-U800MA



Measuring Range: 9999999Km³
Process Connection: M60X2 or 61MM
Material: ABS+PP
Accuracy: $\pm 5\%$ (3% optional)
Protection Grade: IP65
Display: OLED
Signal Output: 4... 20mA/HART (Two-wire / Four) RS485/
Modbus(optional Bluetooth conversion Accessories) GPRS、LORA
Explosion-proof Grade: ExialBT4Ga

W-U800MF



Measuring Range: 9999999Km³
Process Connection: G1 1/2(3m)、M60×2 (5-15m) 、M30X1.5 (20-30m)
Material: ABS
Accuracy: $\pm 5\%$ (3% optional)
Protection Grade: IP65
Display: LCD
Signal Output: 4... 20mA/HART (Two-wire / Four) RS485/
Modbus(GPRS/GPS、micro-printer
Explosion-proof Grade: ExialBT4Ga

W-U800MS



Measuring Range: 9999999Km³Process Connection: G1 1/2(3m)、M60、DN80 non-standard flange
Material: ABS+PP
Accuracy: $\pm 5\%$ (3% optional)
Protection Grade: IP65
Display: OLED
Signal Output: 4... 20mA/HART (Two-wire / Four) RS485/
Modbus(optional Bluetooth conversion Accessories) GPRS、LORA
Explosion-proof Grade: EXiall BT4Ga



W-W300 Series Woltman Water Meter

Woltman Water Meters

Type

Dry dial ,Detachable ,Horizontal

Function

Measuring the volume of cold or hot water passing through the pipeline

Feature

Large flow capacity and small pressure lose.

This type water meter is very fit for agriculture irrigation and bad water quality.

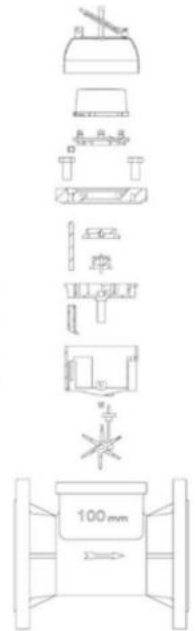
•High quality material applied to guarantee its function efficient and reliable.

Magnet-drive, dry dial,protected by the steel cover,register sealed in vacuum, resistance to magnet and fog-proof, forever clean and legible dial for reading.

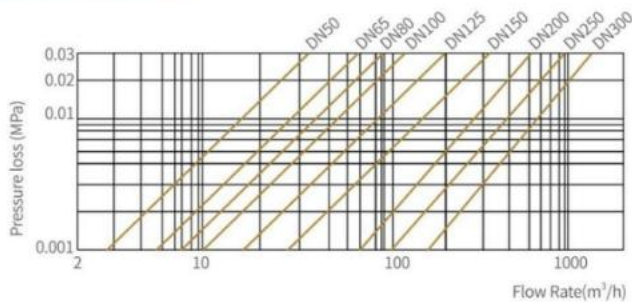
Register may be rotated through 360°

•Removable mechanism is easy to replace or fix and not required detaching the body from the pipeline.

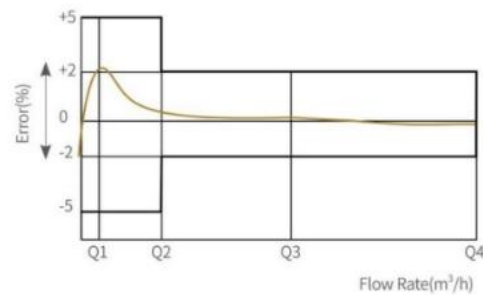
Pulse emitter can be installed to this type for remote reading(option)



Head Loss Curve



Error Curve



HYDRAULIC PERFORMANCE

Size	mm	50	65	80	100	125	150	200	250	300
	inches	2"	2½"	3"	4"	5"	6"	8"	10"	12"
Metrological class		R20/R25/R40								
		Q2/Q1 ≤ (1.6, 4, 6.3)								
Q3	m³/h	25/40	40	63	100	160	250	400	630	1000

TECHNICAL SPECIFICATIONS

Maximum permissible error Between Q1and Q2(excluded)		±5%								
Maximum permissible error Between Q2(included)and Q4		±2% with water temperature ≤ 30°C ±3% with water temperature >30°C								
Temperature class		Cold water:0°C ~45°C Hot water:45°C ~90°C								
Nominal pressure	bar	10/16	10/16	10/16	10/16	10/16	10/16	10/16	10/16	10/16
Min reading	m³	0.001	0.001	0.001/0.01	0.001/0.01	0.01	0.01	0.01	0.01	0.01
Max reading	m³	9,999,999	9,999,999	99,999,999	99,999,999	99,999,999	99,999,999	99,999,999	99,999,999	99,999,999
Weight	kg	10.5	12	15.5	17.5	19	30.5	44	70	85
Pulse options	l/imp.	10-1000	10-1000	100-10000	100-10000	100-10000	100-10000	100-10000	100-10000	100-10000

DIMENSIONS

L	mm	200	200	225	250	250	300	350	450	500
W	mm	185	185	200	215	250	285	340	405	460
H	mm	253	268	284	295	310	339	382	450	480

CONNECTING BOLTS

Outside diameter	mm	165	185	200	220	250	285	340	460	460
Bolt circle diameter	mm	125	145	160	180	210	240	295	355	410
Connecting bolts		4-M16	4-M16	8-M16	8-M16	8-M16	8-M20	8/12-M20	12-M20	12-M20



WATER LARGE

KAIFENG WATER LARGE FLOW MEASUREMENT SCIENCE & TECHNOLOGY CO., LTD

Tel.: +86 371 2285 2295
Email: sales@waterlarge.com
Web.: www.waterlarge.com

Add: No. 101, 1st Floor, Building 24, Tianxiacheng,
Tieta West Street, Kaifeng, Henan, China

